

ANVER's VPE1-GEN2 Series Vac-Packs are suitable for handling non-porous to semi-porous loads. Designed for use with a wide assortment of vacuum pad attachments and lifter assemblies, these high quality Vac-Packs are ruggedly designed for heavy production use. Units are available with heavy duty frames or for mounting remotely.

Your Choice of THREE Control Styles to Suit Your Application



Electric Self-Cycling Attach/Release

Instant attach/release is provided via the hoist up and down movement. The attach and release alternate each lift cycle for fast, efficient handling. Similar to our popular line of Mechanical Generators



Radio Controlled 3 Button Attach / Release / Interlock Transmitter with Plug-In Receiver

Hand held device with attach, release and safety interlock push buttons with holster mounted on front handlebar. Plug-in receiver is mounted on side of vacuum generator. Contact Factory for more information.



Plug-In Attach/Release/Interlock Control Pendant

Attach/Release momentary switch and safety interlock push-button located on control pendant with 10ft long coiled cord.

Safety Features

- Load Sensing Lifting Bail with Safety Lock-Out**
 Pendant controls are only active when the lifter and load are lowered completely to remove the risk of accidental release by the operator. (Not on the VPE1-GEN2-RD Series, which is a standalone version, or the VPE1-GEN2-T, which is a tilter version.) Once on load, attach is almost instantaneous.
- Vacuum Control Module**
 A solid-state Vacuum Control Module combines all the required vacuum generator controls in one rugged unit. This controls all vacuum pump functions, safety lights and is fitted with a standard audible vacuum leakage warning system.
- Audible Vacuum Leakage Warning System (VLS-03E)**
 Integrated electronically controlled vacuum loss sensor monitors vacuum level and will sound an alarm if a slow vacuum leak is present when the vacuum level drops to a pre-determined set point.
- Vacuum Retention**
 The system includes an internal check valve to stop loss of vacuum in the event of a power failure (non-porous loads). A 627 cu. in. vacuum reservoir assists in maintaining a safe vacuum level during a power failure (non-porous loads).



Generator shown with Radio Controls

Additional Features

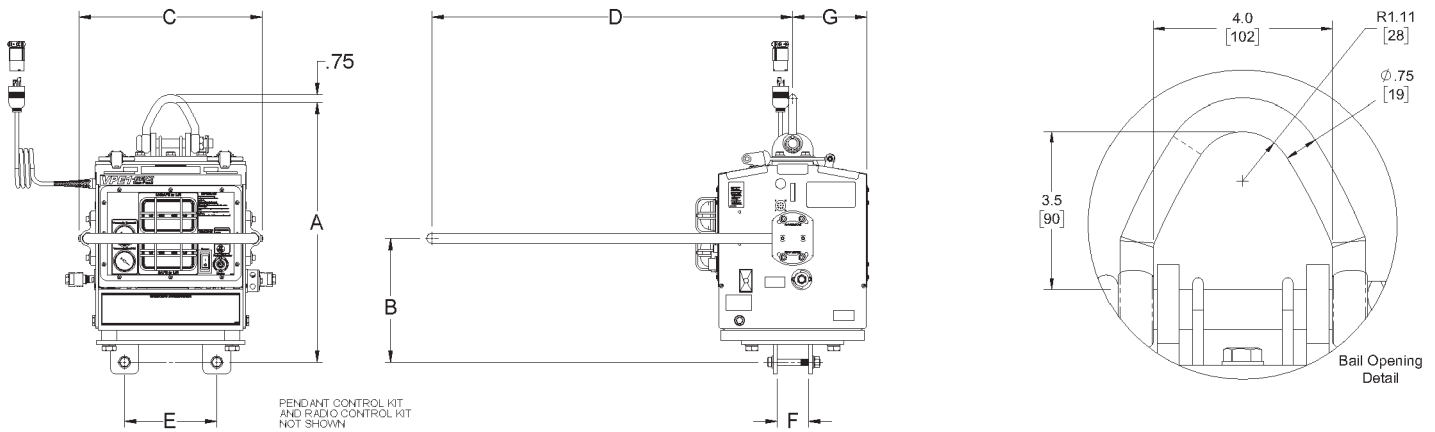
- Front Control Panel and Gauges**
 All gauges, lights and power switches are mounted on the front of the control panel. The two vacuum gauges on the face of the panel display the level of vacuum in the manifold and in the reservoir. The control pendant clip mounts to the front handle on a 10 ft. coiled cord and provides rapid attach and release functions at the operator's fingertips.
- Indicator Lights**
 - Green light indicates "safe" vacuum level.
 - Red light indicates "unsafe" vacuum level.
 - White light indicates "power on."
- Twist-Lock Power Cord Connectors**
 The twist-lock receptacles, both the male and female are supplied, which helps prevent accidental disconnection from the power source.

Vacuum Pump

- High Performance Oil-Less Dry Piston Vacuum Pump Motor**
 - Vacuum pump is thermally overload protected and requires 115V/1PH/60Hz* 15 amps service unless otherwise specified.
- Operating Temperature:** 35°F to 135°F (1.7°C to 57.2°C)

Options

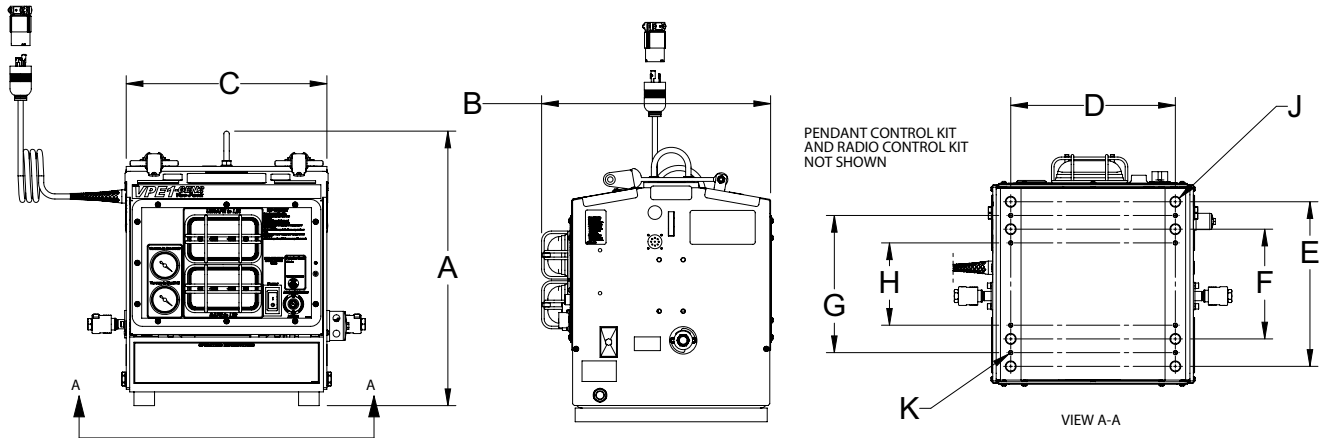
- Optional Moisture Traps (32000216)**
 For damp applications: prevents saturation of filter and possible damage to pump. Not for handling wet loads. Mounts on vacuum manifold.
- *Optional Generator Configurations Available:**
 In reference to our standard line of Vac-Packs noted above, other configurations and set-ups are available. Contact ANVER for further information and application requirements.



Generator Series Model No.	VPE1-GEN2-FD	VPE1-GEN2-HD	VPE1-GEN2-XD	VPE1-GEN2-XDH
Rated Load Capacity lb (kg)	2200 (998)	4600 (2087)	4600 (2087)	4600 (2087)
Unit Weight lb (kg)	182 (83)	184 (84)	190 (87)	190 (87)
A Max. Headroom in. (mm)	25.19 (640)	27.19 (691)	28.19 (716)	28.19 (716)
B Handlebar Height in. (mm)	12.00 (304)	14.00 (356)	15.00 (381)	15.00 (381)
C Handlebar Width in. (mm)	18.00 (457)	18.00 (457)	18.00 (457)	18.00 (457)
D Max. Handlebar Length in. (mm)	33.50 (851)	33.50 (851)	33.50 (851)	33.50 (851)
E Hardware Centers in. (mm)	9.00 (229)	12.00 (305)	12.00 (305)	12.00 (305)
F FitsTube Size in. (mm)	3 x 3 (76 x 76)	3 x 6 (76 x 152)	5 x 7 (127 x 178)	*5 x 7 (127 x 178)
G Vac-Pack Depth in. (mm)	7.31 (186)	7.31 (186)	7.31 (186)	7.31 (186)
Vacuum Level at Sea Level in. Hg	24	24	24	24
Incoming Power Requirement (AC)	115V/1PH/60Hz 15 Amps	115V/1PH/60Hz 15 Amps	115V/1PH/60Hz 15 Amps	115V/1PH/60Hz 15 Amps
Energy Saver / Quiet Automatic Shut-Off	YES	YES	YES	YES

*NOTE: VPE1-GEN2-XDH-Series for use with beams longer than 231" with three sets of hardware. Not compatible with lift frames using center pads or crossarms. Consult anver for application requirements.

Choose Your Control Style Below	
Part Number	Description
ESC-AC/DC-AR	Electric Self-Cycling for Vac-Packs, Attach/Release
RCPK-AC/DC-ARI	Radio Control Kit for Vac-Packs, Attach/Release/Interlock
EPK-AC/DC-ARI	Pendant Control Kit for Vac-Packs, Attach/Release/Interlock



Generator Series Model No.		VPE1-GEN2-RD	VPE1-GEN2-TD
Unit Weight lb (kg)		144 (65)	144 (65)
A Max. Headroom in. (mm)		17.31 (440)	17.31 (440)
B Unit Depth in. (mm)		16.75 (425)	16.75 (425)
C Unit Width in. (mm)		16.43 (372)	16.43 (372)
Hardware Mounting Pattern in. (mm)	D x E x J	12 x 12 (305 x 305) M20X2.5	12 x 12 (305 x 305) M20X2.5
	D x F x J	12 x 8 (305 x 203) M20X2.5	12 x 8 (305 x 203) M20X2.5
	D x G x K	12 x 10 (305 x 254) M8X1.25	12 x 10 (305 x 254) M8X1.25
	D x H x K	12 x 6 (305 x 152) M8X1.25	12 x 6 (305 x 152) M8X1.25
Vacuum Level at Sea Level in. Hg		24	24
Incoming Power Requirement (AC)		115V/1PH/60Hz 15 Amps	115V/1PH/60Hz 15 Amps
Energy Saver / Quiet Automatic Shut-Off		YES	YES

Choose Your Control Style Below	
Part Number	Description
ESC-AC/DC-AR	Electric Self-Cycling for Vac-Packs, Attach/Release
RCPK-AC/DC-ARI	Radio Control Kit for Vac-Packs, Attach/Release/Interlock
EPK-AC/DC-ARI	Pendant Control Kit for Vac-Packs, Attach/Release/Interlock