

ANVER's VPE3-GEN2 Series Vac-Packs are suitable for handling non-porous to semi-porous loads. Designed for use with a wide assortment of vacuum pad attachments and lifter assemblies, these high quality Vac-Packs are ruggedly designed for heavy production use. Units are available with heavy duty frames or for mounting remotely.

Your Choice of THREE Control Styles to Suit Your Application



Electric Self-Cycling Attach/Release

Instant attach/release is provided via the hoist up and down movement. The attach and release alternate each lift cycle for fast, efficient handling. Similar to our popular line of Mechanical Generators



Radio Controlled 3 Button Attach / Release / Interlock Transmitter with Plug-In Receiver

Hand held device with attach, release and safety interlock push buttons with holster mounted on front handlebar. Plug-in receiver is mounted on side of vacuum generator. Contact Factory for more information.



Plug-In Attach/Release/Interlock Control Pendant

Attach/Release momentary switch and safety interlock push-button located on control pendant with 10ft long coiled cord.



Generator Shown with Radio Controls

Safety Features

- **Load Sensing Lifting Bail with Safety Lock-Out**
Pendant controls are only active when the lifter is lowered completely and there is no load on the bail. This eliminates the risk of accidental release of a suspended load by the operator. (Feature not present on the VPE3-GEN2-RD Series, which is a standalone version, or the VPE3-GEN2-T Series, which is a tilter version.)
- **Vacuum Control Module**
A solid-state Vacuum Control Module combines all the required vacuum generator controls in one rugged unit. This controls all vacuum pump functions, safety lights, and is fitted with a standard audible vacuum leakage warning system.
- **Audible Vacuum Leakage Warning System (VLS-03E)**
Integrated electronically controlled vacuum loss sensor monitors vacuum level and will sound an alarm if a slow vacuum leak is present and the vacuum level drops to a predetermined set point.
- **Vacuum Retention**
The system includes an internal check valve to stop loss of vacuum in the event of a power failure (non-porous loads). A 5.4 gallon (1247 cu. in.) vacuum reservoir assists in maintaining a safe vacuum level during a power failure (non-porous loads).

Maintenance

- **Front & Rear Panel Cover**
The front and rear covers pivot open for easy access to all components.
- **Air Filter**
Over-sized air filter provided inside of front cover features a screw-on clear filter bowl for easy filter inspection and cleaning.

Vacuum Pump

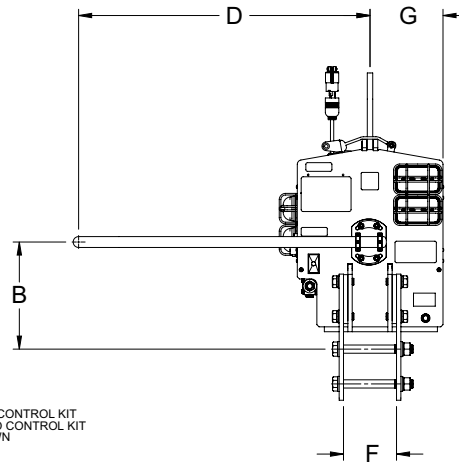
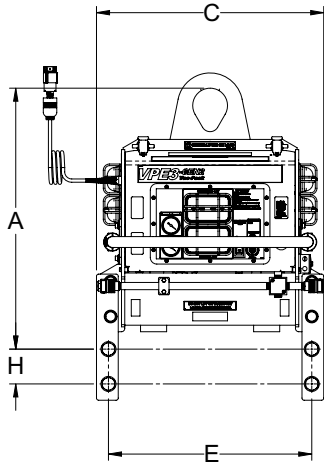
- (2) Oil-Less Dry Piston Vacuum Pumps
- All vacuum pumps have thermal overload protection and require 115V/1PH/60Hz* 15 amps service unless otherwise specified. Operating temperature for each pump: 35°F to 135°F (1.7°C to 57.2°C]

Additional Features

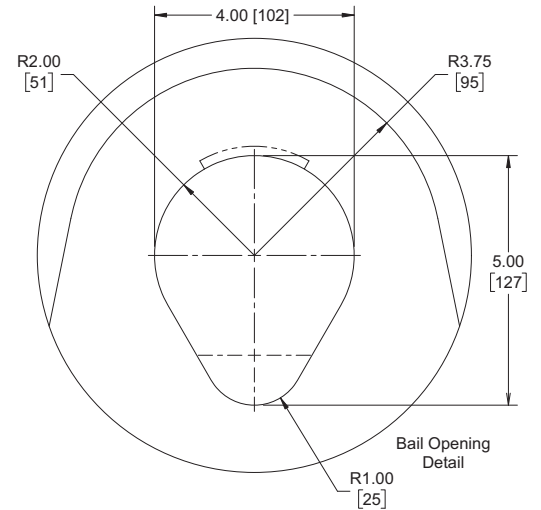
- **Front Control Panel and Gauges**
All gauges, lights, and power switches are mounted on the front of the control panel. The two vacuum gauges on the face of the panel display the level of vacuum in the manifold and in the reservoir.
- **Indicator Lights – Front, Left & Right Side**
 - Green light indicates "Safe" vacuum level.
 - Red light indicates "Unsafe" vacuum level.
 - White light indicates "Power On."
- **Twist-Lock Power Cord Connector**
The twist-lock receptacle prevents accidental disconnection from the power source. Both male and female halves are supplied.

Options

- **Optional Moisture Traps (WT-VP3-[Series])**
For damp applications: prevents saturation of filter and possible damage to pump. Not for handling wet loads. Mounts on vacuum manifold.
- ***Optional Generator Configurations and Voltages Available:**
In reference to our standard line of Vac-Packs noted above, other configurations, voltages and set-ups are available. Contact ANVER for further information and application requirements.



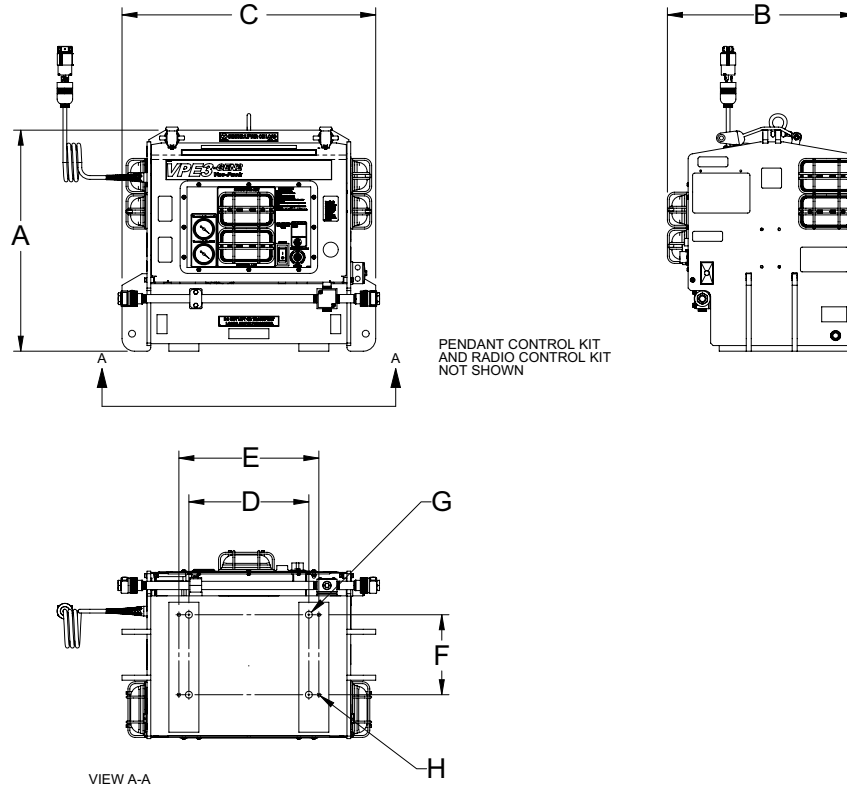
PENDANT CONTROL KIT
AND RADIO CONTROL KIT
NOT SHOWN



Generator Series	Model No.	VPE3-GEN2-L	VPE3-GEN2-S	VPE3-GEN2-H	VPE3-GEN2-HD	VPE3-GEN2-X
Rated Load Capacity lb (kg)		2300 (1043)	6900 (3129)	7000 (3175)	10000 (4535)	10000 (4535)
Unit Weight lb (kg)		325 (148)	325 (148)	325 (148)	325 (148)	325 (148)
A Max. Headroom in. (mm)		30.13 (765)	31.5 (800)	31.5 (800)	31.5 (800)	28 (711)
B Handlebar Height in. (mm)		12.44 (316)	13.81 (351)	13.81 (351)	13.81 (351)	12.31 (313)
C Unit Width in. (mm)		25.38 (645)	26.13 (664)	26.13 (664)	26.13 (664)	26.13 (664)
D Maximum Handlebar Length in. (mm)		34 (864)	34 (864)	34 (864)	34 (864)	34 (864)
E Hardware Centers in. (mm)		9 (229)	22.38 (568)	22.38 (568)	23.38 (594)	23.38 (594)
F Fits Tube Size in. (mm)		3 x 3 (76 x 76)	3 x 6 (76 x 152)	5 x 7 (127 x 178)	5 x 7 (127 x 178)	8 x 6 (203 x 152)
G Vac-Pack Depth in. (mm)		8.39 (213)	8.39 (213)	8.39 (213)	8.39 (213)	8.39 (213)
H Hardware Spacing in. (mm)		N/A	N/A	N/A	N/A	4 (102)
Vacuum Level at Sea Level in. Hg		24	24	24	24	24
Energy Saver / Quiet Automatic Shut-Off		YES	YES	YES	YES	YES

Choose Your Control Style Below

Part Number	Description
ESC-AC/DC-AR	Electric Self-Cycling for Vac-Packs, Attach/Release
RCPK-AC/DC-ARI	Radio Control Kit for Vac-Packs, Attach/Release/Interlock
EPK-AC/DC-ARI	Pendant Control Kit for Vac-Packs, Attach/Release/Interlock



Generator Series Model No.		VPE3-GEN2-R	VPE3-GEN2-T
Unit Weight lb (kg)		270 (123)	270 (123)
A Max. Headroom in. (mm)		22.44 (569)	22.44 (569)
B Unit Depth in. (mm)		18.88 (479)	18.88 (479)
C Unit Width in. (mm)		25.38 (645)	25.38 (645)
Hardware Mounting Pattern in. (mm)	D x F	12 x 8 (305 x 203)	
	E x F	14 x 8 (356 x 203)	
G Thread Size		(4) M20x2.5	
H Thread Size		(4) M10x1.5	
Vacuum Level at Sea Level [in. Hg]		24	24
Energy Saver / Quiet Automatic Shut-Off		YES	YES

Choose Your Control Style Below	
Part Number	Description
ESC-AC/DC-AR	Electric Self-Cycling for Vac-Packs, Attach/Release
RCPK-AC/DC-ARI	Radio Control Kit for Vac-Packs, Attach/Release/Interlock
EPK-AC/DC-ARI	Pendant Control Kit for Vac-Packs, Attach/Release/Interlock