



Designed and engineered from high-grade stainless steel, ANVER offers bag/sack heads with a wide variety of foam sealing rings. The all stainless construction is ideal for wash-down use in the pharmaceutical and food processing industries.

In addition, ANVER offers the BH90 Series, which comes in strong ABS plastic that is light-weight and increases lift capacity.

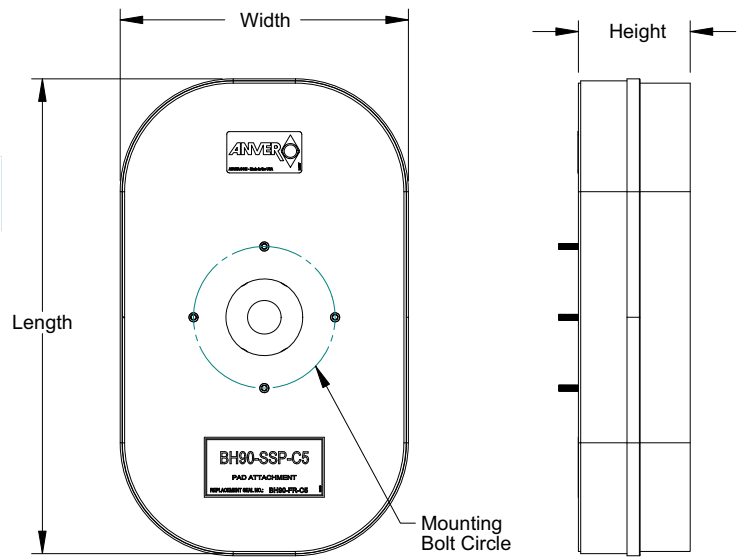
For safe load handling, the surface area of the vacuum attachment should be at least twice the cross sectional area of the vacuum lifting tube (2:1 safety ratio).

There are many seal types for a variety of applications, as described in the table below. ANVER frequently updates the style of its seals in order to stay current with industry standards and available material. Please check with ANVER if you have any questions.

Note: Bags/sacks constructed of porous material, such as burlap, are not suitable for vacuum handling.

Shown with Quick Release Mounting

Foam Style	BH40	BH60	BH73	BH90	Applications
C5	●			●	Loosely packed paper Plastic bags
C6		●	●		Pails with filler cap, textured surface Loosely packed paper Plastic bags
G3G6	●			●	Bag-specific applications
G5C3		●			Pails
D2B4			●		Firmly Packed Bags & Masonry Surfaces
D2K4			●		Rigid, Textured or Rough Surfaces
E4	●				Firmly Packed Bags



Model No.	Dimensions W x L [in (cm)]	Height [in (mm)]	Mounting Bolt Circle [in (mm)]	Skirt Model No.	Seal Area [Sq in. (Sq cm)]	Minimum Number of Pads Required					
						Mini		Standard			
						VT120	VT140	VT160	VT180	VT200	VT250
BH40-SSP-G3G6	7.3 x 11.1 (18.6 x 28.2)	3.0 (76)	3.12 (80)	BH40-SK	52.5 (339)	1	1	2	2	2	N/A
BH40-SSP-C5	7.1 x 11.1 (18.0 x 28.2)	4.1 (104)	3.12 (80)	BH40-SK	42.6 (275)	1	2	2	2	N/A	N/A
BH40-SSP-E4		3.8 (96)	3.12 (80)	BH40-SK	42.6 (275)	1	2	2	2	N/A	N/A
BH60R-SS-C6	10.0 Dia. (25.4)	3.0 (76)	3.12 (80)	BH60-SK	56.0 (361)	1	1	1	2	2	N/A
BH60R-SS-G5C3		3.0 (76)	4.72 (120)	BH60-SK	58.0 (374)	1	1	1	2	2	2
BH73-SS-C6	7.4 x 15.4 (18.8 x 39.1)	3.0 (76)	4.72 (120)	BH73-SK	76.2 (492)	1	1	1	2	2	2
BH73-SS-D2B4		3.0 (76)	4.72 (120)	BH73-SK	76.2 (492)	1	1	1	2	2	2
BH73-SS-D2K4		3.0 (76)	4.72 (120)	BH73-SK	76.2 (492)	1	1	1	1	2	2
BH90-P-G3G6*	9.5 x 15.8 (24.1 x 40.1)	3.0 (76)	4.72 (120)	BH90-SK	108.0 (697)	1	1	1	1	1	2
BH90-P-C5*		4.1 (104)	4.72 (120)	BH90-SK	96.0 (619)	1	1	1	1	2	2
BH90-SSP-C5		4.0 (102)	4.72 (120)	BH90-SK	96.0 (619)	1	1	1	1	2	2
BH90-SSP-G3G6		3.0 (76)	4.72 (120)	BH90-SK	108.0 (697)	1	1	1	1	1	2

Notes: "P" designation indicates bag/sack head body is constructed with ABS plastic. Please contact ANVER about bag/sack head options for the VT300.

Bag/Sack Head Attachment Mounting Options

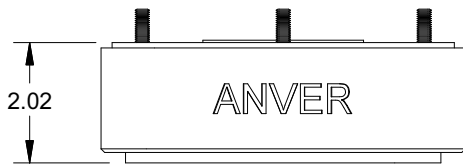
ANVER offers two options for mounting bag/sack heads to the lift head: one is a quick release and the other is a direct bolt on style. The bag/sack head attachments listed below are used with either plastic or stainless steel. Please contact ANVER if your Model Number is not included in the list.

Bag Head Series	Lifting System Model No.	Top Quick Release		Bottom Quick Release		Direct Bolt To Can Option
		Stainless Steel	Aluminum	Stainless Steel	Aluminum	
BH40	Mini	VT-QRT-M	VT-QRT-M-4P	VT-QRB-M	VT-QRB-M-4P	Yes
	Standard	N/A		N/A		No
BH60R	Mini	VT-QRT-M	N/A	VT-QRB-S	N/A	No
	Standard	VT-QRT-S	VT-QRT-S-4P	VT-QRB-S	VT-QRB-S-4P	Yes
BH73	Mini	VT-QRT-M	N/A	VT-QRB-S	N/A	No
	Standard	VT-QRT-S	VT-QRT-S-4P	VT-QRB-S	VT-QRB-S-4P	Yes
BH90	Mini	VT-QRT-M	N/A	VT-QRB-S	N/A	No
	Standard	VT-QRT-S	VT-QRT-S-4P	VT-QRB-S	VT-QRB-S-4P	Yes

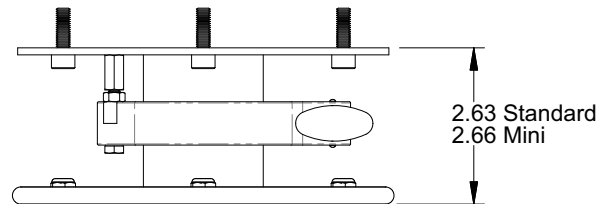
Attachment Notes and Application Notes for Bag/Sack Heads

Quick Release: All heavy-duty bag/sack heads can be mounted with a quick release mounting option. Use the table above to find the configuration best suited for your ergonomic lifting system.

NOTE: Stainless Steel and aluminum quick release parts are not interchangeable.

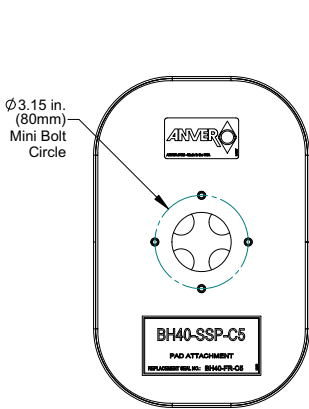


Aluminum Quick Release Top Assembled w/ Bottom

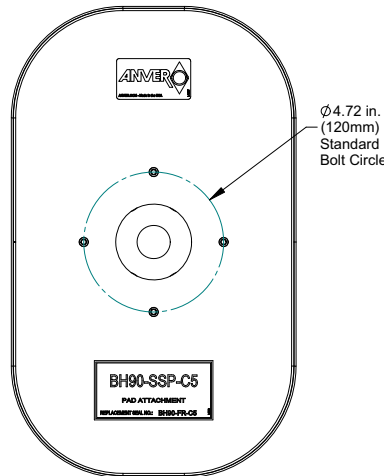


Stainless Steel Quick Release Top Assembled w/ Bottom & Clamp

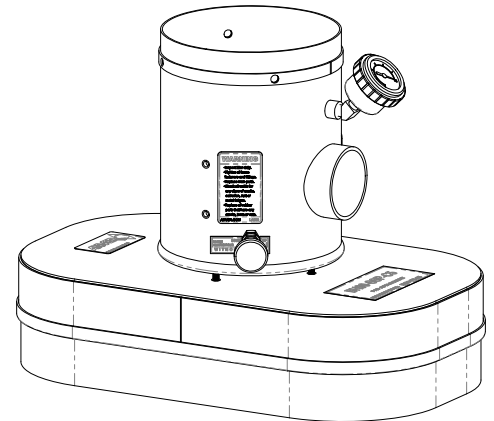
Direct Bolt: Each bag/sack head will bolt to only one size ergonomic lifting system. Use the table above to find the configuration best suited for your lifting system.



Bag Head "Mini" Direct Bolt Pattern



Bag Head "Standard" Direct Bolt Pattern



Bag Head Directly Bolted Onto Can