

The GF Series generators incorporate the latest in sophisticated lifting technology for the handling industry, increasing speed, productivity and efficiency. Available in electric and battery powered. Vac-Packs can be replaced in minutes to minimize downtime in case of service. The GF-Series speeds production due to a large reservoir allowing the lifter to attach almost instantly, decreasing attach time. The large reservoir increases efficiency and safety in the case of power failure as the vacuum remains.

## Your Choice of FOUR Control Styles to Suit Your Application

### Standard Controls



#### ESC-AC/DC-AR

##### Electric Self-Cycling Attach/Release

Instant attach/release is provided via the hoist up and down movement. The attach and release alternate each lift cycle for fast, efficient handling. Similar to our popular line of Mechanical Generators

### Optional Controls



#### RCPK-AC/DC-ARI

##### Radio Controlled 3 Button Attach / Release / Interlock Transmitter with Plug-In Receiver

Hand held device with attach, release and safety interlock push buttons with holster mounted on front handlebar. Plug-in receiver is mounted on side of vacuum generator. Contact Factory for more information.



#### EPK-AC/DC-ARI

##### Plug-In Attach/Release/Interlock Control Pendant

Attach/Release momentary switch and safety interlock push-button located on control pendant with 10ft long coiled cord.



#### 34000332

##### Plug-In Harness, Customer Radio Receiver Interface

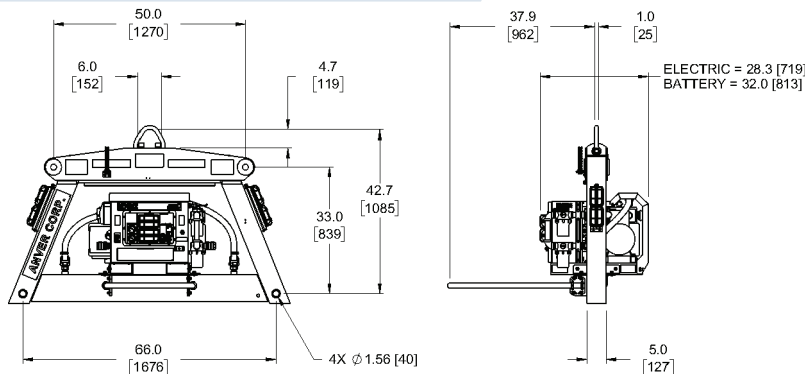
Control Harness allows you to wire your own radio receiver for integration of Attach / Release / Interlock.



#### Features:

- State-of-the-art Vacuum Control which minimizes vacuum pump use greatly increasing number of hours between servicing.
- Dual redundancy safety Lock-out Lifting Bail that eliminates the risk of accidental release by the operator
- Front Control Panel and Gauges
- Indicator Lights
- Vacuum Retention
- Thermal Overload Protection
- Ergonomic Adjustable Front Handlebar
- Audible Vacuum Leakage Warning System

For Electrical Power Requirements refer to individual vacuum generator series specification sheet.



Model No.		Vacuum Generator Series	Flow SCFM	Vacuum Level at Sea Level [in. Hg.]	Unit Weight [lbs. (Kg.)]	Reservoir Size [Gal. (L)]	Energy Saver/ Quiet Automatic Shut-Off
Battery Powered	GF5T3B*	BAE3-GEN2	7.5	24	796 (3361)	11.0 (42)	YES
	GF5TB10-17	BAE10-17	17	24	801 (363)	7.6 (29)	YES
Electric Powered	GF5T3	VPE3-GEN2	(2X) 8	24	646 (293)	11.0 (42)	YES
	GF5T24	VPEHE24(Series)	24	24	616 (279)	7.6 (29)	YES
	GF5T48	VPEHE48(Series)	50	24	755 (342)	7.6 (29)	YES

\*GF5T3B Lifting Frame Special Order - Contact ANVER for further information and application requirements.