

The GF Series generators incorporate the latest in sophisticated lifting technology for the handling industry, increasing speed, productivity and efficiency. Available in electric and battery powered. Vac-Packs can be replaced in minutes to minimize downtime in case of service. The GF-Series speeds production due to a large reservoir allowing the lifter to attach almost instantly, decreasing attach time. The large reservoir not only increases efficiency but also increases safety in the case of power failure due to the vacuum that remains in the system.

NOTE: Maximum lifter capacity and lifter weight combined can not exceed 22,500 LB (10,205 KG).



Features:

- Load Sensing Lifting Bail with Safety Lock-Out.
- State-of-the-art Vacuum Control Module (MCU, micro control unit) which minimizes vacuum pump use greatly increasing number of hours between servicing.
- Dual redundancy safety Lock-out Lifting Bail that eliminates the risk of accidental release by the operator
- Front Control Panel and Gauges
- Indicator Lights
- Vacuum Retention
- Thermal Overload Protection
- Ergonomic Adjustable Front Handlebar
- Audible Vacuum Leakage Warning System

For Electrical Power Requirements refer to individual vacuum generator series specification sheet.

Your Choice of THREE Control Styles to Suit Your Application



Electric Self-Cycling Attach/Release

Instant attach/release is provided via the hoist up and down movement. The attach and release alternate each lift cycle for fast, efficient handling. Similar to our popular line of Mechanical Generators



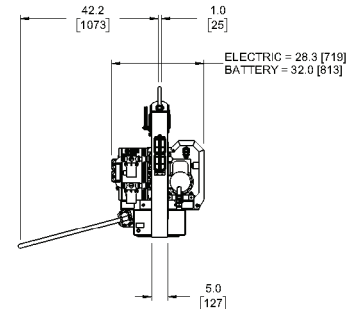
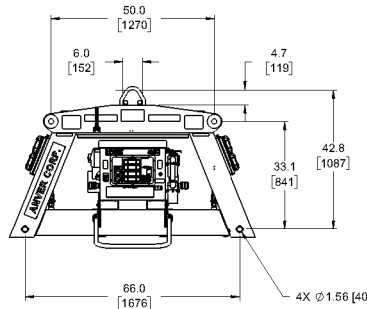
Radio Controlled 3 Button Attach / Release / Interlock Transmitter with Plug-In Receiver

Hand held device with attach, release and safety interlock push buttons with holster mounted on front handlebar. Plug-in receiver is mounted on side of vacuum generator. Contact Factory for more information.



Plug-In Attach/Release/Interlock Control Pendant

Attach/Release momentary switch and safety interlock push-button located on control pendant with 10ft long coiled cord.



Model No.		Vacuum Generator	Flow SCFM	Vacuum Level at Sea Level [In. Hg.]	Unit Weight [lbs. (Kg.)]	Reservoir Size [Gal. (L)]	Energy Saver / Quiet Automatic Shut-Off
Battery Powered	GF10TB10-17	BAE10-17	17	24	978 (444)	30 (114)	YES
Electric Powered	GF10T3	VPE3-GEN2	(2X) 8	24	837 (380)	33 (126)	YES
	GF10T24	VPEHE24(Series)	24	24	730 (332)	30 (114)	YES
	GF10T48	VPEHE48(Series)	50	24	932 (423)	30 (114)	YES
	GF10T75	VPEHE75(Series)	78	24	1050 (477)	30 (114)	YES

Choose Your Control Style Below

Part Number	Description
ESC-AC/DC-AR	Electric Self-Cycling for Vac-Packs, Attach/Release
RCPK-AC/DC-ARI	Radio Control Kit for Vac-Packs, Attach/Release/Interlock
EPK-AC/DC-ARI	Pendant Control Kit for Vac-Packs, Attach/Release/Interlock