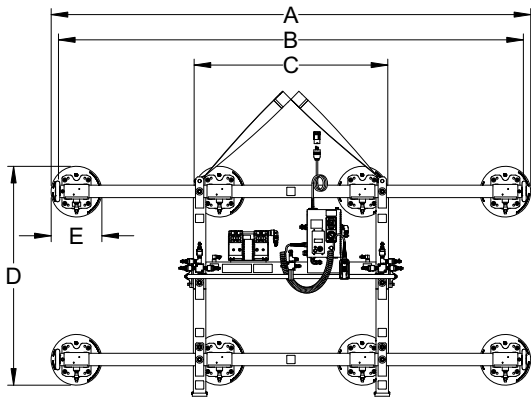


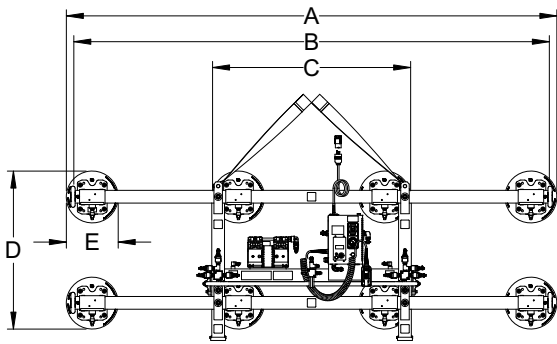
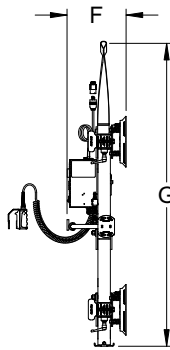
This lightweight Electric-Powered Vertical Vacuum Lifter is designed to significantly reduce the effort of lifting vertical loads while providing powerful suction force. Built with safety in mind, these lifters are loaded with protective features including: a VLS, 9V battery powered vacuum leakage sensor and warning system; an attach/release pendant; and locking knobs on the adjustable vacuum pad, slide assemblies. Rated at a maximum vacuum level of 24 in. Hg (609.6 mm Hg) at sea level with a 4:1 safety factor on vacuum holding (unless otherwise specified).

Features:

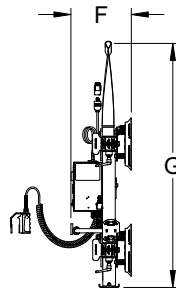
- EP1001 vacuum generator with vacuum gauge
- Vacuum attach/release pendant control.
- Power required: 115V/60hz/1ph/5A. 15 amp service required.
- Vacuum pump/motor 4.3 SCFM (121.8 l/min), 1/2 HP; equipped with thermal sensor to prevent overheating and 100% duty cycle
- VLS, 9V battery powered vacuum leakage sensor and warning system
- Resettable circuit breaker for vacuum pump.
- Electrical cord with twist lock, male and female receptacles
- Check valve to halt loss of vacuum in case of electrical power failure
- Removeable leg extensions for handling a variety of load sizes.
- Lifter can be broken down to ship in a smaller package.



Lifter Shown with Leg Extensions



Lifter Shown without Leg Extensions
(Shipped in this position for export crate)



Model No.	EV200M8-110X44
Rated Load Capacity [lbs (kg.)]	2000 (907)
Unit Weight [lbs (kg.)]	430 (195)
A Outer Pad Distances Max. [in. (mm)]	115 (2921)
A Outer Pad Distances Min. [in. (mm)]	67 (1702)
B Beam Length [in. (mm)]	112 (2845)
C Inner Pad Distances Max. [in. (mm)]	46 (1168)
C Inner Pad Distances Min. [in. (mm)]	26 (661)
D Pad Distances Max. [in. (mm)]	53 (1346)
D Pad Distances Min. [in. (mm)]	38 (966)
E Pad Dimension [in. (mm)]	12.6 (320)
F Lifter Depth [in. (mm)]	15 (381)
G Maximum Headroom [in. (mm)]	75 (1905)
G Minimum Headroom [in. (mm)]	60 (1524)
Maximum Plate Dimensions [ft. (M)]	12 x 10 (3.7 x 3.1)
Pad Number	VP126