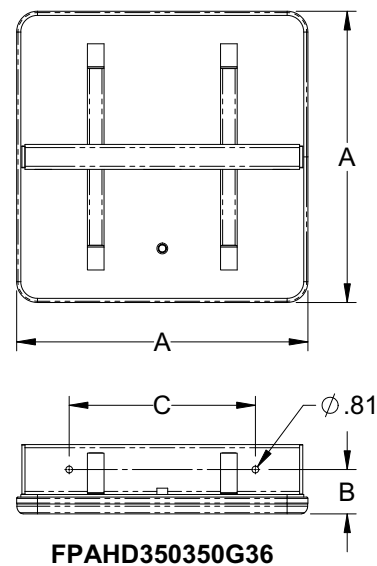
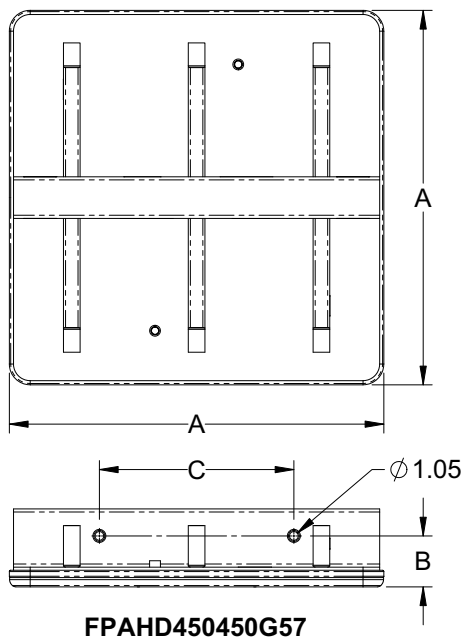


ANVER Large Capacity Foam Vacuum Pad Attachments are ideal for lifting heavy, compact, semi-porous loads in situations where the available load surface precludes the use of lifters with multiple smaller pads. These large capacity pads are made by ANVER to be sturdy and safe when handling heavy semi-porous loads.

Features

- Sturdy Heavy Steel Steel Construction.
- Replacement Vacuum Seal can be changed by hand.
- High Lifting Capacity and welded construction



Model Number	FPAHD350350G36	FPAHD450450G57
Rated Load Capacity [lbs (kg)]	6000 (2721)	9000 (4082)
Unit Weight [lbs (kg)]	195 (89)	395 (180)
A [in. (mm)]	35 (889)	45 (1143)
B [in. (mm)]	5 (127)	6.12 (156)
C [in. (mm)]	22.38 (568)	22.38 (568)
Optional Parking Stands	72000038	72000038
Available Replacement Seals	FRS350350-K4	FRS450450-K4
	FRS350350-B4	FRS450450-B4