

Anver Vacuum Tilters and Upenders are loaded with safety features and have come to set the standard for safe tilting of loads. Each version has been revised over the years to perform better and last longer. The pads, vacuum generators, frame, controls, hardware, filters, safety features and handlebars etc are all new and improved. Every aspect of the lifters has been redesigned and the latest represent the best Tilters available.

The lightweight Electric-Powered and Air-Powered Vacuum Lifters/Tilters are designed to significantly reduce the effort of upending heavy loads while providing powerful suction force and 90 degree tilt capability. Built with safety in mind, these lifters/tilters are loaded with protective features including: a VLS System, 9V battery powered vacuum leakage sensor and warning system; an attach/release slide valve with safety lock; and locking knobs on the adjustable vacuum pad, slide assemblies, and crossarms (when applicable). The ETL and ATL Series Lifters/Tilters are capacity rated at a maximum vacuum level of 24 in. Hg (609.6 mm Hg) with a 4:1 safety factor on vacuum holding (unless otherwise specified).

The dual filter/reservoir assembly, equipped on both electric-powered and air-powered vacuum upenders, offers a clean and reliable vacuum hold in less than ideal environments. Constructed with an ergonomic lifter handlebar, a welded steel lifting frame, and end of beam positioning handles, operators can use this equipment with ease and comfort for a wide range of loads and applications.

*Load weight and depth affect the final angle that the lifter achieves. Consult ANVER for loads thicker than 2 in. (51mm) due to center of gravity offset.

Note: The unit weight does not include optional accessories.



Features

ATL-Series

- AL1001UP vacuum generator with vacuum and pressure gauges
- 3/8 NPT air inlet with locking slide valve
- VLS System, 9V battery powered vacuum leakage sensor and warning system
- Pre-set pressure regulator to allow lifter to be operated on lines with higher supply pressure
- Single-stage Venturi with check valve to halt loss of vacuum from generator in case of air supply failure
- Heavy duty air cylinder to provide 90 degree tilt
- Flow control valves to control tilt speed
- Handle mounted lever valve for tilt controls
- Attach/release slide valve with safety lock

ETL-Series

- EP1001UP vacuum generator with vacuum gauge and master on/off switch
- Electric actuator with anti-coast brake to provide 90 degree tilt
- VLS System, 9V battery powered vacuum leakage sensor and warning system
- Resettable circuit breakers for pump and actuator
- Tilt control pendant with 10 ft. (3.5m) coil cord and pendant holster
- Attach/release slide valve with safety lock
- Electrical cord with twist lock, male and female receptacles
- Check valve to halt loss of vacuum in case of electrical power failure

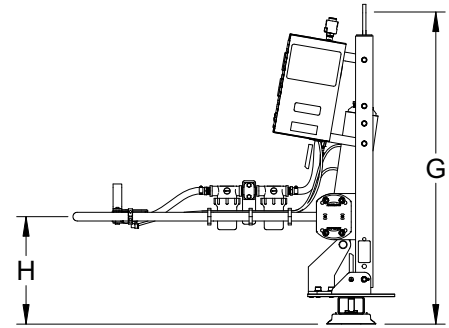
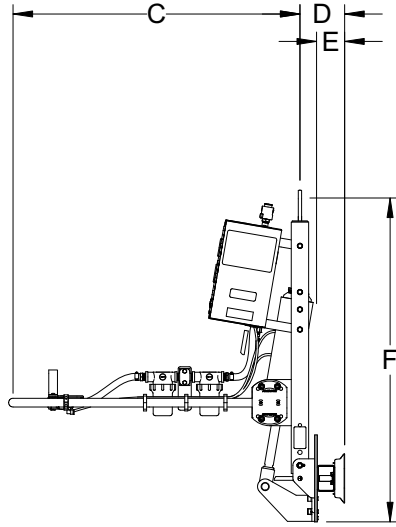
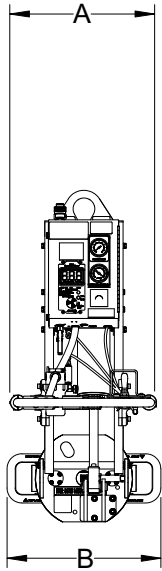
Specifications

ATL-Series

- Power required: 90-120 psi; clean, dry compressed air, 10.5 SCFM (297.3 l/min)
- Energy Air Saver, the vacuum controlled valve shuts off the flow of compressed air to the pump when the pre-set level is reached, and consequently the consumption of compressed air is minimized.
- Tilt speed: variable with 100% duty cycle, will not overheat

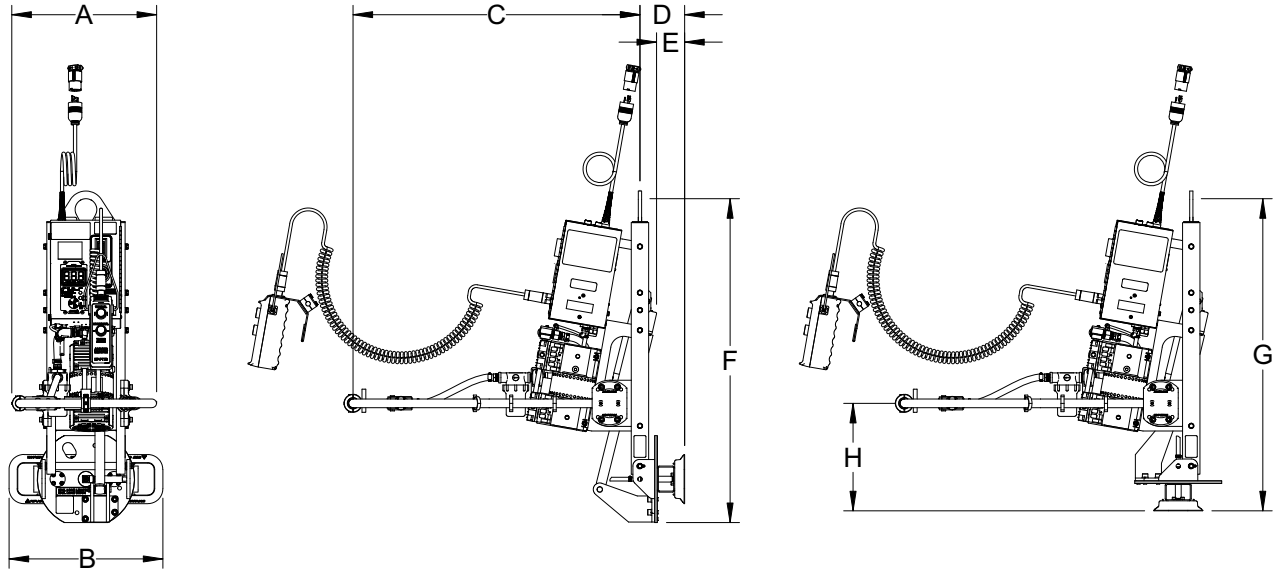
ETL-Series

- Power required: 115V/60hz/1ph/11A. 15 amp service required.
- Tilt speed: 8 sec. (25% Duty Cycle)
- Tilt cycles per hour: 56
- High Performance Vacuum pump/motor equipped with thermal sensor to prevent overheating and 100% duty cycle



Model No.	ATL22.5S-5518
Rated Load Capacity [lbs (kg.)]	225 (102)
Unit Weight [lbs (kg.)]	95 (43)
Power Required [psi]	90-120
Air Consumption [SCFM (l/min.)]	*10.5 (297.3)
Tilt Speed	Variable (100% Duty Cycle)
A Lifter Width [in. (mm)]	17 (432)
B Pad Dimension [in. (mm)]	18 x 5.88 (457 x 149)
C Handlebar Length [in. (mm)]	33 (838)
D Pad Distance from Bail [in. (mm)]	5.14 (130)
E Pad Distance from Frame [in. (mm)]	3.62 (91)
F Max. Vertical Headroom [in. (mm)]	37.25 (946)
G Max. Horizontal Headroom [in. (mm)]	35.9 (937)
H Pad Distance from Handlebar [in. (mm)]	12.31 (312)
Max. Load Size [ft. (M)]	4 x 2 (1.2 x 0.6)
Pad Number	VP5518
Manual Rotation Included?	NO

*Air Consumption is "0" on a non-porous material once the vacuum level is reached at peak value



Model No.	ETL22.5S-5518
Rated Load Capacity [lbs (kg.)]	225 (102)
Unit Weight [lbs (kg.)]	115 (52)
Power Required	115V/60Hz/1Ph/11A
Tilt Speed [Sec.]	8 (25% Duty Cycle)
Tilt Cycles Per Hour	56
A Lifter Width [in. (mm)]	17 (432)
B Pad Dimension [in. (mm)]	18 x 5.88 (457 x 149)
C Handlebar Length [in. (mm)]	33 (838)
D Pad Distance from Bail [in. (mm)]	5.14 (130)
E Pad Distance from Frame [in. (mm)]	3.23 (82)
F Max. Vertical Headroom [in. (mm)]	37.25 (946)
G Max. Horizontal Headroom [in. (mm)]	35.9 (937)
H Pad Distance from Handlebar [in. (mm)]	12.31 (312)
Max. Load Size [ft. (M)]	4 x 2 (1.2 x 0.6)
Pad Number	VP5518
Manual Rotation Included?	NO