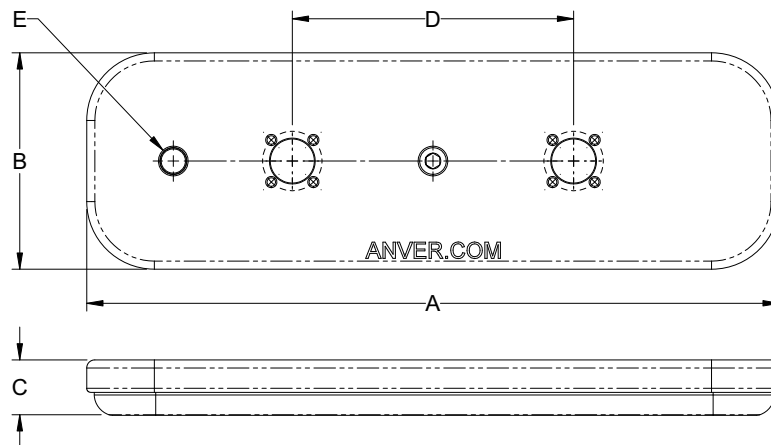


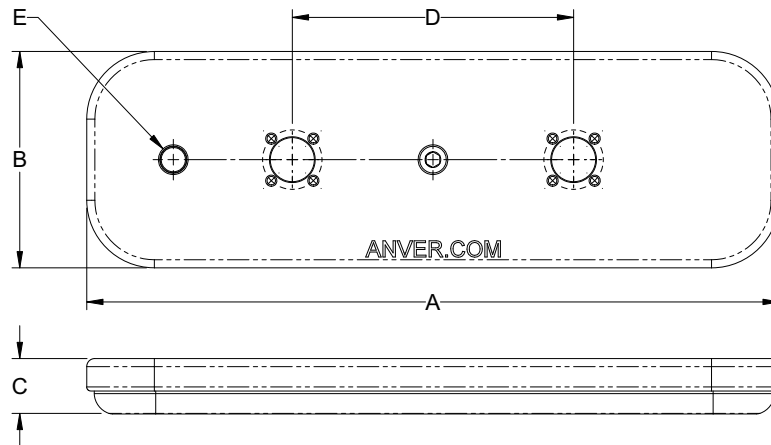
ANVER Rectangle Foam Vacuum Pads feature a slip-in self-locking sealing ring. These ANDURA-SOFT® foam seals are most effective on rough, uneven or textured surfaces such as tread plate, diamond plate, textured surfaces, saw cut stone or smoothed concrete. Available in a number of shapes, styles and materials, their seal design makes maintenance easy.

Features

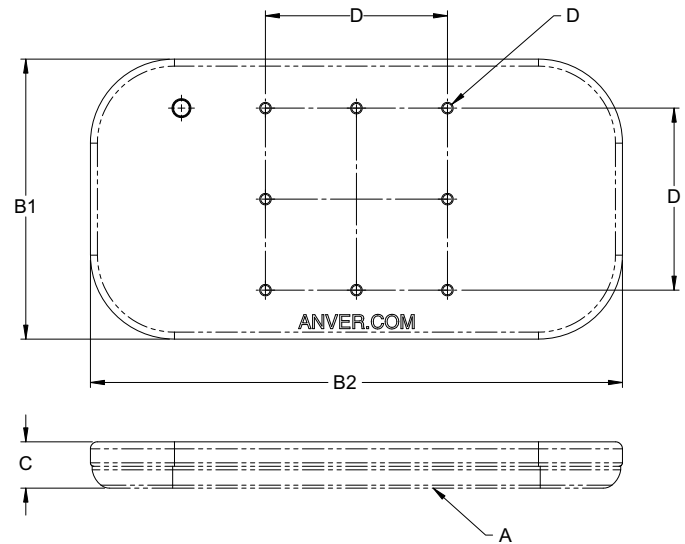
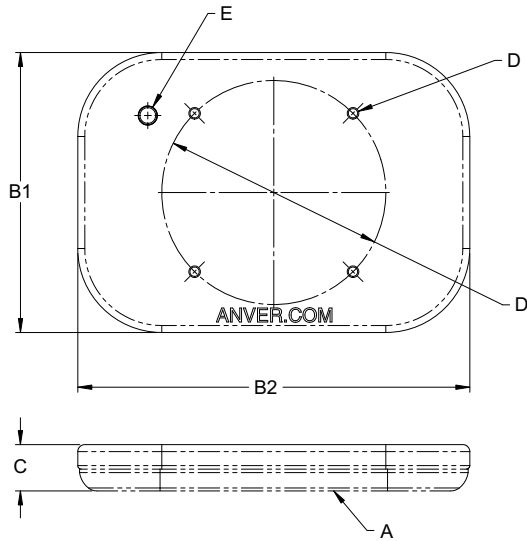
- A wide variety of rectangle metal vacuum pads with ANDURASOFT® foam seals designed for industrial use. Replacement seals are always in stock and available for same day shipping to minimize down-time!
- Seals are easily replaceable and economical. No special tools are needed as the seals can be replaced by hand in a few minutes while on the lifter.
- Pads adjust easily to uneven or rough surfaces for maximum safety
- Seals are available in a large variety of sizes
- These Rectangular Vacuum Pads offer maximum versatility when used with ANVER Spring Loaded Suspension Assemblies
- Dual position Clevis Mounting Slide
- If buying pads separately from Anver please make sure to follow torque settings and bolt depths per specifications.
- Contact ANVER for additional information.
- ANDURASOFT® Foam rings are standard (K1 or K3 style). Other foam styles available as needed. Consult Factory.
- Cleated bottom maximizes capacity – excellent for both horizontal and vertical loads.



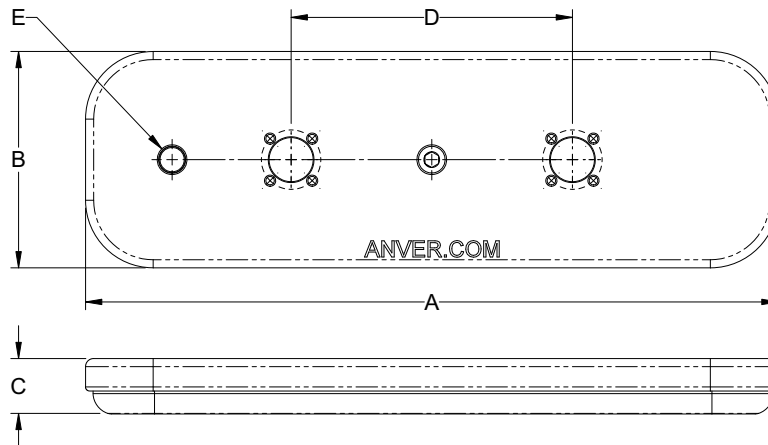
Part Number	FP014130	FP019140	FP025150	FP040110	FP040160	FP050120
Horizontal Load Capacity (2:1 Safety Factor) lbs (kg)	30 (13)	60 (27)	100 (45)	100 (45)	170 (77)	170 (77)
Standard Replacement Seal Number (Not Included)	FR014130-K7 Standard	FR019140-K7 Standard	FR025150-K5 Standard	FR040110-K3R Standard	FR040160-K3R Standard	FR050120-K3R Standard
Approx. Weight lbs (kg)	0.73 (0.33)	1.13 (1)	2.0 (1)	2.4 (1)	3.5 (2)	3.5 (2)
Dimensions	A Length in. (mm)	13 (330)	14 (356)	15 (381)	11 (279)	12 (305)
	B Width in. (mm)	1.38 (35)	1.9 (48)	2.5 (64)	4 (102)	5 (127)
C Height in. (mm)	1.28 (33)	1.28 (33)	1.28 (33)	1.28 (33)	1.28 (33)	1.28 (33)
D Mounting in. (mm)	6.5 (165)	6.5 (165)	6.5 (165)	6.5 (165)	6.5 (165)	6.5 (165)
E Vacuum Port	1/8" NPT	1/4" NPT	1/4" NPT	3/8" NPT	3/8" NPT	3/8" NPT



Part Number		FP050160	FP060180	FP070200		
Horizontal Load Capacity (2:1 Safety Factor) lbs (kg)		225 (102)	350 (159)	500 (227)		
Standard Replacement Seal Number (Not Included)		FR050160-K3R Standard -2.5E+07	FR060180-K3R Standard	FR070200-K1 Standard	FR070200-K1R Standard	FR070200-K2C2 FR070200-K2J7
Approx. Weight lbs (kg)		4.6 (2)	6.5 (3)	10.77 (5)		
Dimensions	A Length in. (mm)	16 (406)	18 (457)	20.13 (511)		
	B Width in. (mm)	5 (127)	6 (152)	7.13 (181)		
C Height in. (mm)		1.28 (33)	1.28 (33)	1.75 (44) [K1 Seal]		
D Mounting in. (mm)		6.5 (165)	6.5 (165)	6.00 x 2.50 (152 x 64) [(4) M10X1.5] OR 6.5 (165) For Swivel/Rigid Suspensions		
E Vacuum Port		3/8" NPT	3/8" NPT	3/8" NPT		



Vacuum Pad Number	FP100140				FP100190				
Horizontal Load Capacity (2:1 Safety Factor) lbs (kg)	500 (227)				750 (340)				
A Standard Replacement Seal Number (Not In- cluded)	FR100140-K1 Standard (24531067)	FR100140- K1R Standard	FR100140- K2C2 (24531084)	FR100140- K2J7 (24531375)	FR100190-K1 Standard (24531068)	FR100190- K1R Standard	FR100190- K2C2 (24531085)	FR100190- K2J7 (24531376)	
Approx. Weight lbs (kg)	10.82 (5)				14.98 (7)				
Drawing Diagram (above)	Figure B				Figure C				
Dimen- sions	B1 Width in. (mm)	10.13 (257)				10.13 (257)			
	B2 Width in. (mm)	14.13 (359)				19.13 (486)			
C Height in. (mm)	1.75 (44) [K1 Seal]				1.75 (44) [K1 Seal]				
D Mounting	8 (203) Bolt Circle [(4) M10X1.5]				6.50 sq. (165) [(8) M10X1.5]				
E Vacuum Port	3/8" NPT				3/8" NPT				



Vacuum Pad Number	FP100250	FP120210	FP120290	FP140320	
Horizontal Load Capacity lbs (kg)	1000 (454)	1000 (454)	1500 (680)	2000 (908)	
A Standard Replacement Seal Number (Not Included)	FR100250-K1 Standard	FR120210-K1 Standard	FR120290-K1 Standard	FR140320-K1 Standard	
	FR100250-K1R Standard	FR120210-K1R Standard	FR120290-K1R Standard	FR140320-K1R Standard	
	FR100250-K2C2	FR120210-K2C2	FR120290-K2C2	FR140320-K2C2	
	FR100250-K2J7	FR120210-K2J7	FR120290-K2J7	FR140320-K2J7	
Approx. Weight lbs (kg)	19.87 (9)	21.21 (10)	28.1 (13)	36.26 (16)	
Dimensions	B1 Width in. (mm)	10.13 (257)	12.13 (308)	12.13 (308)	14.13 (359)
	B2 Width in. (mm)	25.13 (638)	21.13 (537)	29.13 (740)	32.13 (816)
C Height in. (mm)	1.75 (44) [K1 Seal]	1.75 (44) [K1 Seal]	2 (51) [K1 Seal]	2 (51) [K1 Seal]	
D Mounting	6.50 x 13.00 (165 x 330) [(6) M10X1.5]	6.50 x 13.00 (165 x 330) [(6) M10X1.5]	6.50 x 19.50 (165 x 495) [(8) M10X1.5]	6.50 x 19.50 (165 x 495) [(8) M10X1.5]	
E Vacuum Port	3/8" NPT	3/8" NPT	1/2" NPT	1/2" NPT	