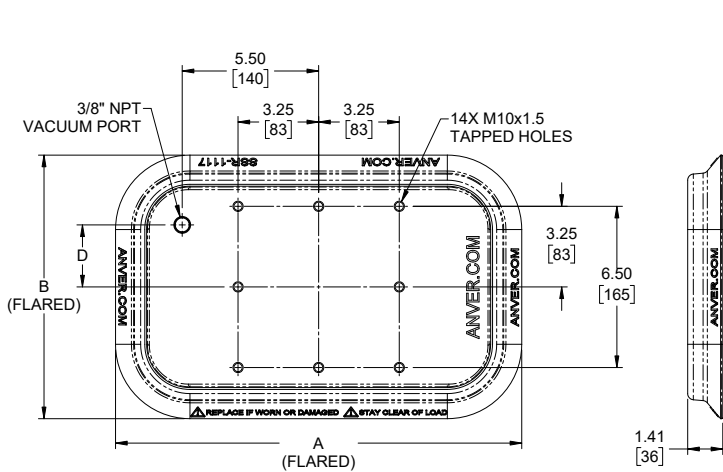
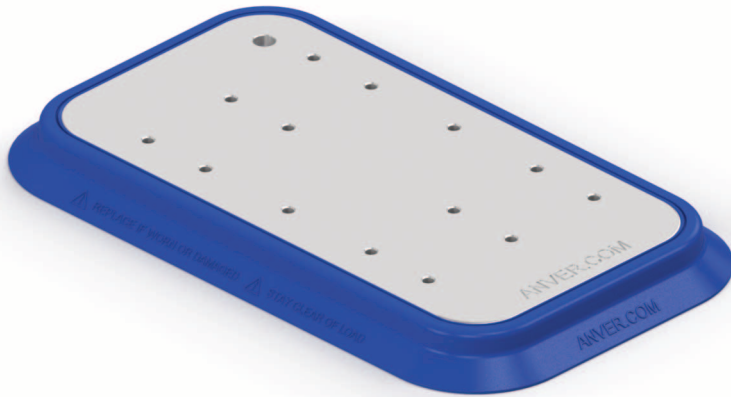


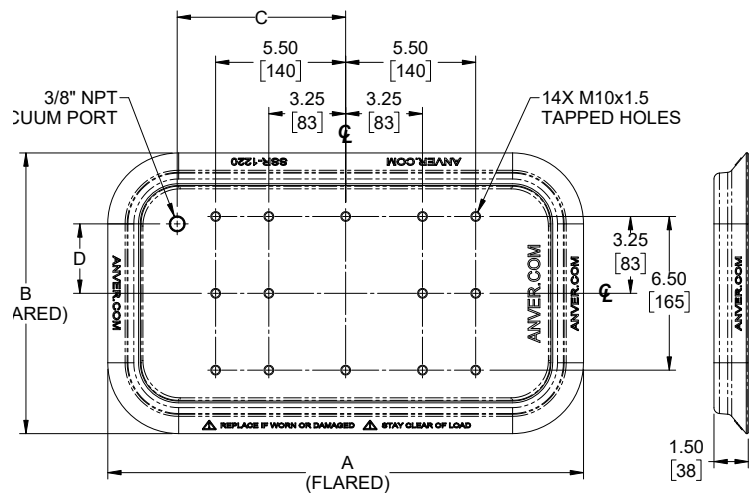
ANVER Rectangular Vacuum Seal Pads are ideal for lifting heavy, compact loads in situations where the available load surface precludes the use of lifters with multiple pads.

Features:

- Can handle both heavy and thin brittle loads
- High lifting capacity for a compact size
- Non-slip rubber bottom can handle thin or brittle materials without deforming or breaking them
- Shallow lip for quick attach and release
- An excellent pad for handling glass and stone panels in the vertical and horizontal position
- Takes a 3/8" NPT port hose barb
- Note that the bonded one-piece pads come with M10 x 1.5 threaded mounting holes which do not protrude further than the metal plate. They are blind and sealed by the rubber underneath. If you bolt these pads to a plate you need to select the correct length metric screws so they do not protrude too far and poke through the rubber. If the rubber underneath the bolts is pierced these pads will leak.
- The two-piece aluminum pad with seal (VP1117-NBR and VP1220A-NBR) has blind tapped holes and are vacuum tight.

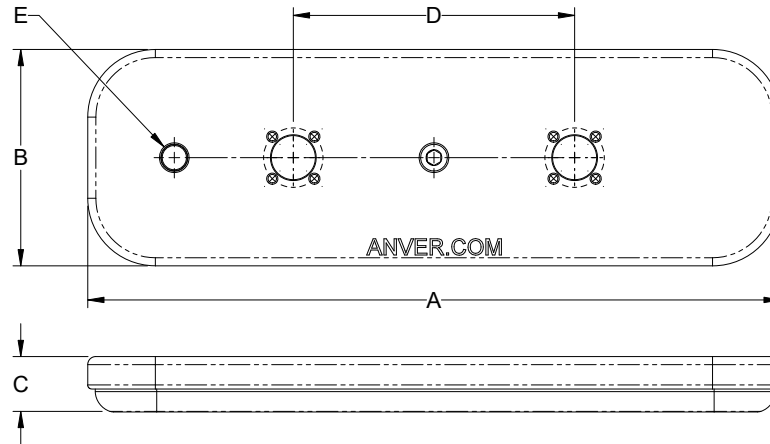


VP1117 Series

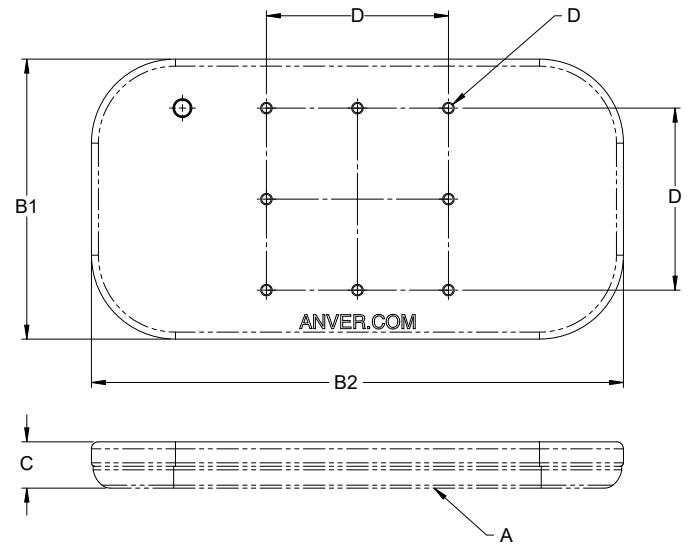
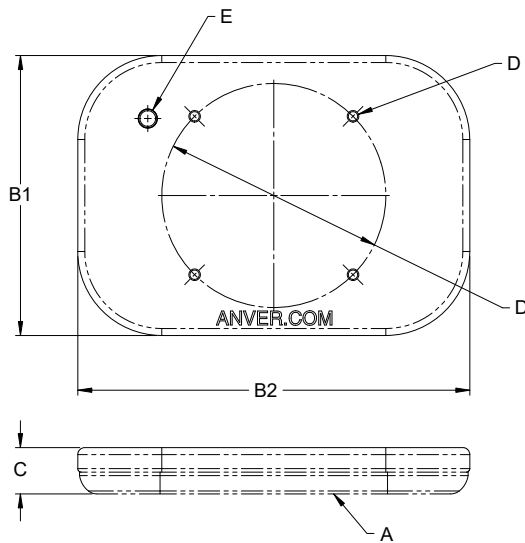


VP1220 Series

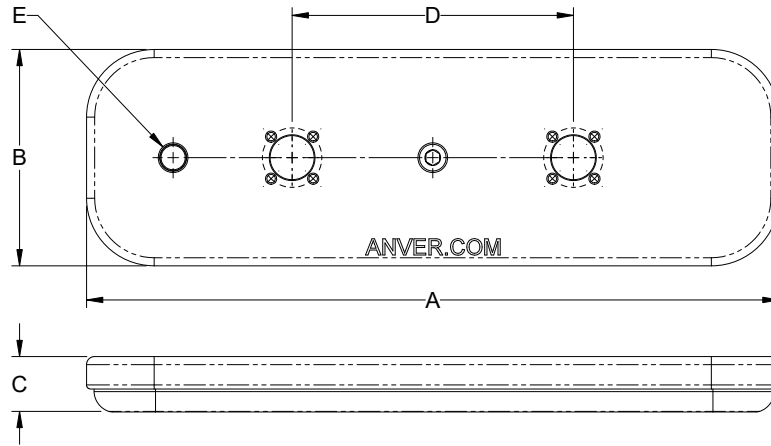
Product Number	VP1117-NBR Nitrile Two-Piece, Pad & Seal	VP1220A-NBR Nitrile Two-Piece, Pad & Seal	VP1220-SI (High Heat Silicone) Bonded, One-Piece Special Order Only
Replacement Seal	SSR-1117 Hand Replaceable Sealing Ring	SSR-1220 Hand Replaceable Sealing Ring	N/A
A in. (mm)	16.75 (426)	20.5 (521)	20.63 (524)
B in. (mm)	11 (280)	12.1 (308)	12.63 (320)
C in. (mm)	5.5 (140)	7.13 (181)	6.79 (173)
D in. (mm)	2.5 (64)	2.94 (75)	3.27 (83)
Weight lb. (kg)	10.5 (4.76)	15 (6.8)	22 (10.0)
Horizontal Rated Load* lb. (kg)	750 (340)	1100 (499)	1100 (499)
Vertical Rated Load* lb. (kg)	375 (170)	550 (250)	550 (250)



Part Number	FP050160	FP060180	FP070200			
Horizontal Load Capacity (2:1 Safety Factor) lbs (kg)	225 (102)	350 (159)	500 (227)			
Standard Replacement Seal Number (Not Included)	FR050160-K3R Standard -2.5E+07	FR060180-K3R Standard	FR070200-K1 Standard	FR070200-K1R Standard	FR070200-K2C2	FR070200-K2J7
Approx. Weight lbs (kg)	4.6 (2)	6.5 (3)	10.77 (5)			
Dimensions	A Length in. (mm)	16 (406)	18 (457)	20.13 (511)		
	B Width in. (mm)	5 (127)	6 (152)	7.13 (181)		
C Height in. (mm)	1.28 (33)	1.28 (33)	1.75 (44) [K1 Seal]			
D Mounting in. (mm)	6.5 (165)	6.5 (165)	6.00 x 2.50 (152 x 64) [(4) M10X1.5] OR 6.5 (165) For Swivel/Rigid Suspensions			
E Vacuum Port	3/8" NPT	3/8" NPT	3/8" NPT			



Vacuum Pad Number		FP100140				FP100190			
Horizontal Load Capacity (2:1 Safety Factor) lbs (kg)		500 (227)				750 (340)			
A Standard Replacement Seal Number (Not In- cluded)		FR100140-K1 Standard (24531067)	FR100140- K1R Standard	FR100140- K2C2 (24531084)	FR100140- K2J7 (24531375)	FR100190-K1 Standard (24531068)	FR100190- K1R Standard	FR100190- K2C2 (24531085)	FR100190- K2J7 (24531376)
Approx. Weight lbs (kg)		10.82 (5)				14.98 (7)			
Drawing Diagram (above)		Figure B				Figure C			
Dimen- sions	B1 Width in. (mm)	10.13 (257)				10.13 (257)			
	B2 Width in. (mm)	14.13 (359)				19.13 (486)			
C Height in. (mm)		1.75 (44) [K1 Seal]				1.75 (44) [K1 Seal]			
D Mounting		8 (203) Bolt Circle [(4) M10X1.5]				6.50 sq. (165) [(8) M10X1.5]			
E Vacuum Port		3/8" NPT				3/8" NPT			



Vacuum Pad Number		FP100250	FP120210	FP120290	FP140320
Horizontal Load Capacity lbs (kg)		1000 (454)	1000 (454)	1500 (680)	2000 (908)
A Standard Replacement Seal Number (Not Included)		FR100250-K1 Standard	FR120210-K1 Standard	FR120290-K1 Standard	FR140320-K1 Standard
		FR100250-K1R Standard	FR120210-K1R Standard	FR120290-K1R Standard	FR140320-K1R Standard
		FR100250-K2C2	FR120210-K2C2	FR120290-K2C2	FR140320-K2C2
		FR100250-K2J7	FR120210-K2J7	FR120290-K2J7	FR140320-K2J7
Approx. Weight lbs (kg)		19.87 (9)	21.21 (10)	28.1 (13)	36.26 (16)
Dimensions	B1 Width in. (mm)	10.13 (257)	12.13 (308)	12.13 (308)	14.13 (359)
	B2 Width in. (mm)	25.13 (638)	21.13 (537)	29.13 (740)	32.13 (816)
C Height in. (mm)		1.75 (44) [K1 Seal]	1.75 (44) [K1 Seal]	2 (51) [K1 Seal]	2 (51) [K1 Seal]
D Mounting		6.50 x 13.00 (165 x 330) [(6) M10X1.5]	6.50 x 13.00 (165 x 330) [(6) M10X1.5]	6.50 x 19.50 (165 x 495) [(8) M10X1.5]	6.50 x 19.50 (165 x 495) [(8) M10X1.5]
E Vacuum Port		3/8" NPT	3/8" NPT	1/2" NPT	1/2" NPT