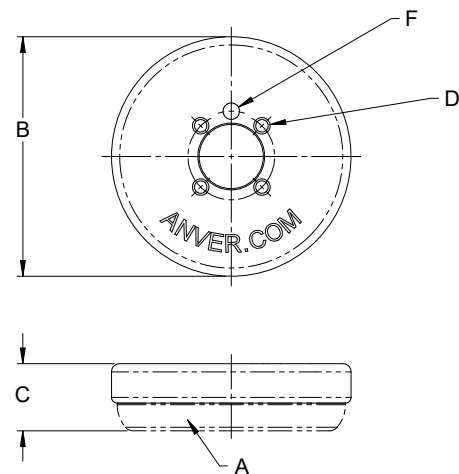


ANVER Round Foam Vacuum Pads feature a slip-in self-locking sealing ring. These ANDURASOFT<sup>®</sup> foam seals are most effective on rough, uneven or textured surfaces such as tread plate, diamond plate, textured surfaces, saw cut stone or smoothed concrete. Available in a number of shapes, styles and materials, their seal design makes maintenance easy.

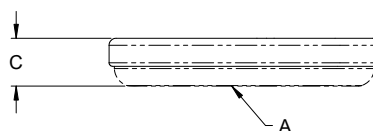
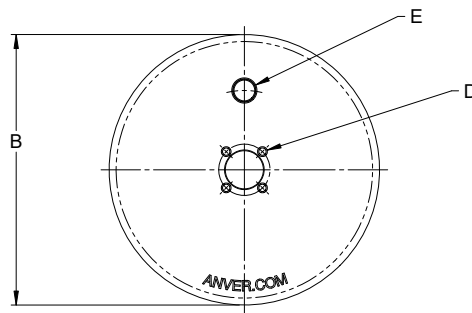
#### Features

- Round metal vacuum pads with ANDURASOFT<sup>®</sup> foam seals are designed for industrial use.
- Replacement seals are always in stock and available for same day shipping!
- Seals are easily replaceable without special tools.
- Seals can be replaced by hand in a few minutes while remaining on the lifter.
- Pads adjust easily to uneven or rough surfaces for maximum safety.
- Seals are available in a large variety of sizes.
- Pads offer maximum versatility when used with ANVER Spring Loaded Suspension Assemblies.

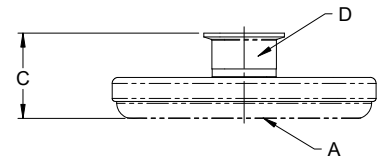
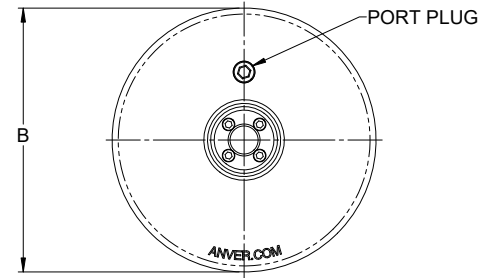
If buying pads separately from ANVER, please make sure to follow torque settings and bolt depths per specifications.



Vacuum Pad Number	FP28	FP38
Horizontal Load Capacity* (Safety Factor of 2) lb (kg)	20 (9)	30 (13)
**A Replacement Seal Number	FR28-K5 Standard (24531332)	FR38-K5 Standard (24531333)
B Pad Diameter in. (mm)	3 (76)	3.8 (97)
C Height in. (mm)	1.06 (27)	1.06 (27)
D Mounting	12 mm Ball Swivel or Rigid Suspensions M6X1.0 Mtg. Holes at 1.38 (35) Dia. Bolt Circle	12 mm Ball Swivel or Rigid Suspensions M6X1.0 Mtg. Holes at 1.38 (35) Dia. Bolt Circle
E Vacuum Port	1/4" Thru	1/4" Thru
Approx. Weight lb (kg)	0.36 (0.16)	0.61 (0.28)

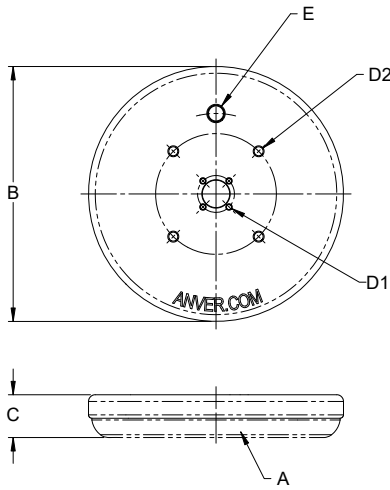


**Standard Series**

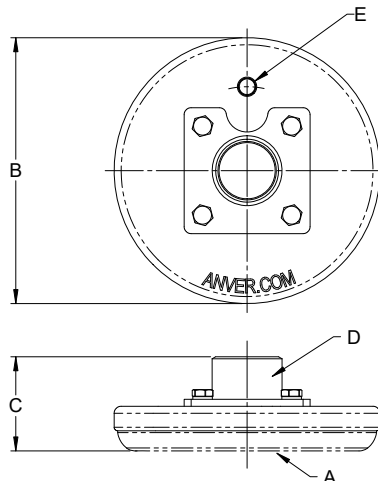


**T1-Series**

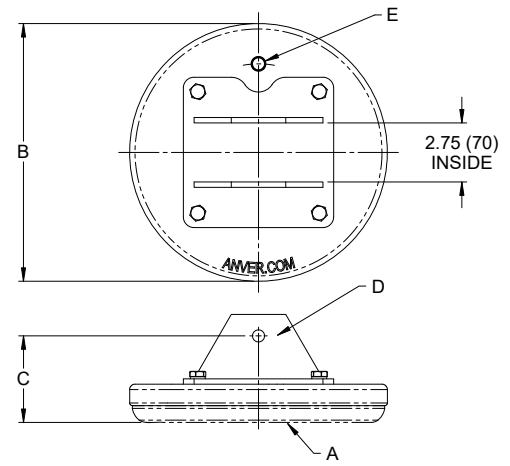
Vacuum Pad Number	FP48	FP58	T1-FP58	FP68	T1-FP68	FP78	T1-FP78	FP88	T1-FP88
Horizontal Load Capacity* (Safety Factor of 2) lb (kg)	40 (18)	50 (23)	25 (12)	75 (34)	38 (17)	100 (45)	50 (23)	150 (68)	75 (34)
**A Replacement Seal Number	FR48-K5	FR58-K3R	FR58-K3R	FR68-K3R	FR68-K3R	FR78-K3R	FR78-K3R	FR88-K3R	FR88-K3R
B Pad Diameter in. (mm)	4.8 (122)	5.25 (133)	5.25 (133)	6.25 (159)	6.25 (159)	7.25 (184)	7.25 (184)	8.25 (210)	8.25 (210)
C Height in. (mm)	1.19 (27)	1.50 (38)	2.66 (68)	1.5 (38)	2.66 (68)	1.5 (38)	2.66 (68)	1.5 (38)	2.66 (68)
D Mounting	12 mm Ball Swivel or Rigid Suspensions M6X1.0 Mtg. Holes at 1.38 (35) Dia. Bolt Circle	12 mm Ball Swivel or Rigid Suspensions M6X1.0 Mtg. Holes at 1.38 (35) Dia. Bolt Circle	Quick Release Adapter with thru port	12 mm Ball Swivel or Rigid Suspensions M6X1.0 Mtg. Holes at 1.38 (35) Dia. Bolt Circle	Quick Release Adapter with thru port	12 mm Ball Swivel or Rigid Suspensions M6X1.0 Mtg. Holes at 1.38 (35) Dia. Bolt Circle	Quick Release Adapter with thru port	12 mm Ball Swivel or Rigid Suspensions M6X1.0 Mtg. Holes at 1.38 (35) Dia. Bolt Circle	Quick Release Adapter with thru port
E Vacuum Port	1/8" NPT	1/8" NPT	Quick Release Adapter with thru port	1/4" NPT	Quick Release Adapter with thru port	3/8" NPT	Quick Release Adapter with thru port	3/8" NPT	Quick Release Adapter with Thru Port
Approx. Weight lb (kg)	1.12 (0.51)	1.39 (0.63)	1.81 (82)	2.02 (0.92)	2.47 (1.12)	2.71 (1.23)	3.16 (1.43)	3.58 (1.62)	4.03 (1.83)



**FP98 & T1-FP98**

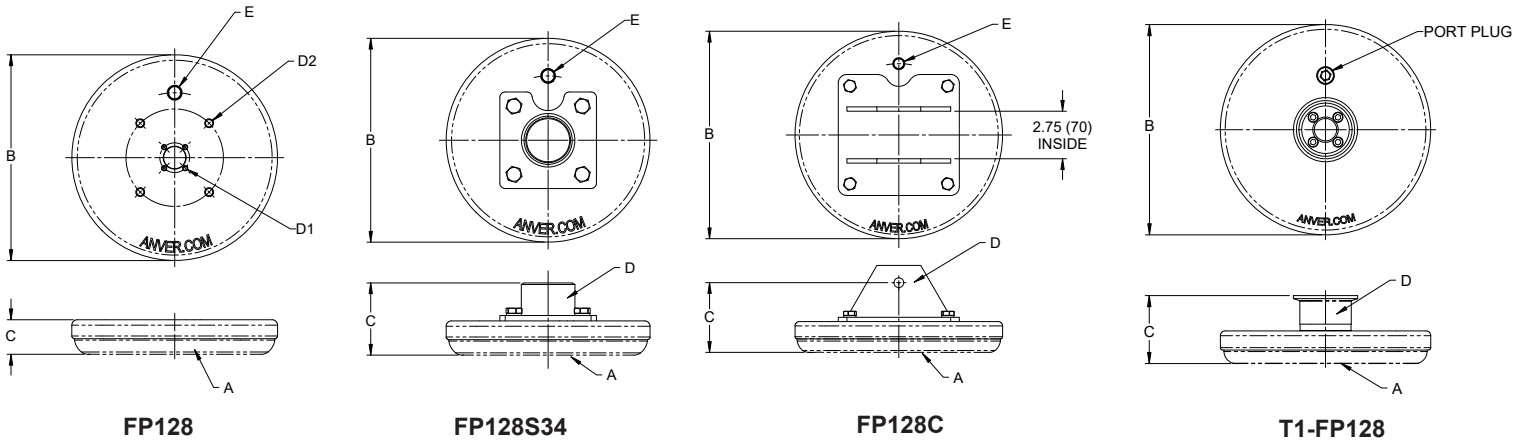


**FP98S**

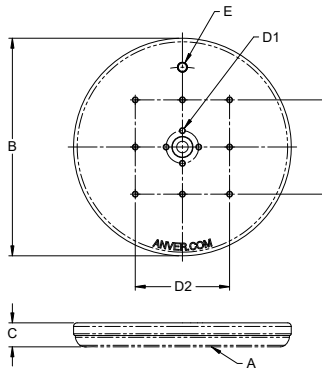


**FP98C**

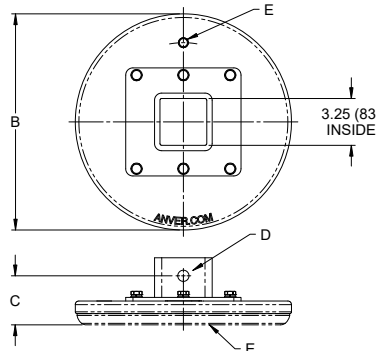
Vacuum Pad Number		FP98	FP98S	FP98C	T1-FP98
Horizontal Load Capacity* (Safety Factor of 2) lb (kg)		200 (91)	200 (91)	200 (91)	100 (45)
**A Replacement Seal Number		FR98-K1R Standard FR98-K2C2 Special	FR98-K1R Standard FR98-K2C2 Special	FR98-K1R Standard FR98-K2C2 Special	FR98-K1R Standard FR98-K2C2 Special
B Pad Diameter in. (mm)		9.5 (241)	9.5 (241)	9.5 (241)	9.5 (241)
C Height in. (mm)		1.5 (38)	3.63 (92)	5.53 (140)	3.15 (80)
D Mounting	D1 Inner Mounting	12 mm Ball Swivel or Rigid Suspensions M6X1.0 Mtg. Holes at 1.38 (35) Dia. Bolt Circle	Adapter for 3/4" or 20 mm Ball Swivel Suspension mounting for Ball Sockets and Retaining Ring	Clevis Mount Suspension Adapter	Quick Release Adapter with Thru Port
	D2 Outer Mounting	Quad Mount M10X1.5 Mtg. Holes at 4.50 (114) Dia. Bolt Circle	Adapter for 3/4" or 20 mm Ball Swivel Suspension mounting for Ball Sockets and Retaining Ring	Clevis Mount Suspension Adapter	Quick Release Adapter with Thru Port
E Vacuum Port		3/8" NPT	3/8" NPT	3/8" NPT	Quick Release Adapter with Thru Port
Approx. Weight lb (kg)		4.63 (2.10)	7.82 (3.55)	7.82 (3.55)	5.08 (2.30)



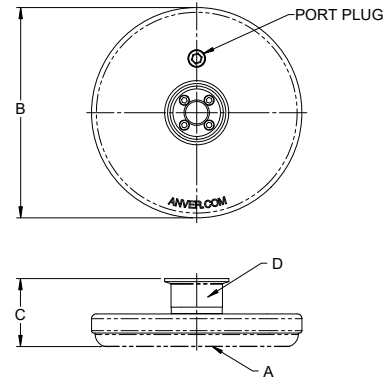
Vacuum Pad Number	FP128	FP128S34	FP128C	T1-FP128
Horizontal Load Capacity* (Safety Factor of 2) lb (kg)	300 (136)	300 (136)	300 (136)	150 (68)
**A Replacement Seal Number	FR128-K1R Standard FR128-K2C2 Special	FR128-K1R Standard FR128-K2C2 Special	FR128-K1R Standard FR128-K2C2 Special	FR128-K1R Standard FR128-K2C2 Special
B Pad Diameter in. (mm)	12 (305)	12 (305)	12 (305)	12 (305)
C Height in. (mm)	1.5 (38)	1.58 (41)	5.53 (140)	3.15 (80)
D Mounting	22 mm Ball Swivel or Rigid Suspensions M10X1.5 Mtg. Holes at 2.25 (57) Dia. Bolt Circle  Quad Mount M10X1.5 Mtg. Holes at 8.00 (203) Dia. Bolt Circle	Adapter for 3/4" or 20mm Ball Stud Suspensions  Adapter for 3/4" or 20mm Ball Stud Suspensions	Clevis Mount Suspension Adapter  Clevis Mount Suspension Adapter	Quick Release Adapter with Thru Port  Quick Release Adapter with Thru Port
E Vacuum Port	3/8" NPT	3/8" NPT	3/8" NPT	Quick Release Adapter with Thru Port
Approx. Weight lb (kg)	10.44 (4.74)	9 (4.08)	15.84 (7.18)	12.44 (5.64)



**FP150**



**FP150C**



**T1-FP150**

Vacuum Pad Number	FP150	FP150C	T1-FP150
Horizontal Load Capacity* (Safety Factor of 2) lb (kg)	550 (249)	550 (249)	275 (68)
**A Replacement Seal Number	FR150-K1R Standard FR150-K2C2 Special	FR150-K1R Standard FR150-K2C2 Special	FR150-K1R Standard FR150-K2C2 Special
B Pad Diameter in. (mm)	15 (381)	15 (381)	15 (381)
C Height in. (mm)	1.5 (38)	3.4 (86)	3.15 (80)
D Mounting	22 mm Ball Swivel or Rigid Suspensions M10X1.5 Mtg. Holes at 2.25 (57) Dia. Bolt Circle  Pattern Mount (8) M10X1.5 Mtg. Holes at 6.25 (159) sq.	N/A	Quick Release Adapter with Thru Port
E Vacuum Port	3/8" NPT	3/8" NPT	Quick Release Adapter with Thru Port
Approx. Weight lb (kg)	14.41 (6.54)	19.81 (8.99)	12.44 (5.64)