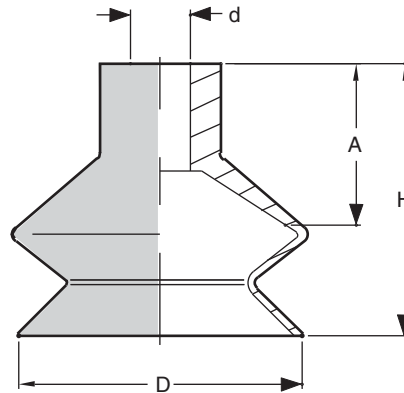




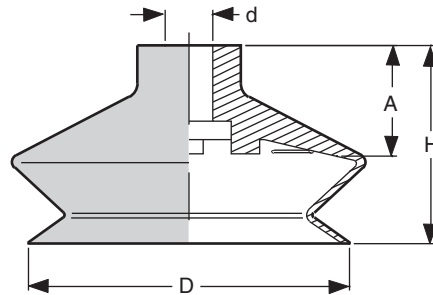
1.5 Bellows Vacuum Suction Cups attach gently and easily with minimum pressure. Excellent for most concave and convex shapes, bellows suction cups attach to curvatures such as containers, bottles, cylinders, etc., and can be used in any orientation. Their spring action compensates for height variances in the load or machine inaccuracies. The bellows suction cup design duplicates the function of mechanical springs and ball-joint connectors in a much smaller and more economical package.

Note: The name of these vacuum cups and their labeling does not necessarily reflect the diameter that makes contact with the load. To find the exact diameter, click on the desired vacuum cup below and verify its Flared Overall Diameter specifications.

The standard materials are Nitrile (NBR) and Silicone (SIT).



Vacuum Cup Part Number and Material	D Overall Dia. in. (mm)	d Fitting Dia. in. (mm)	H Static Height in. (mm)	A Compressed Height in. (mm)	Volume in. <sup>3</sup> (cm <sup>3</sup> )	Load Capacity* lb. (Kg) 2 to 1	Weight (Grams)
B1.5-5-NBR (Nitrile)	0.22 (5.5)	0.16 (4.0)	0.44 (11.1)	0.31 (8.0)	0.003 (0.04)	0.02 (0.07)	0.28
B1.5-5-SIT (Translucent Silicone)	0.22 (5.5)	0.16 (4.0)	0.44 (11.1)	0.31 (8.0)	0.003 (0.04)	0.02 (0.07)	0.28
B1.5-11-NBR (Nitrile)	0.45 (11.4)	0.16 (4.0)	0.63 (16.0)	0.41 (10.5)	0.014 (0.23)	0.6 (0.27)	0.92
B1.5-11-SIT (Translucent Silicone)	0.45 (11.4)	0.16 (4.0)	0.63 (16.0)	0.41 (10.5)	0.014 (0.23)	0.6 (0.27)	0.92
B1.5-11-NM (NOMATHANE®)	0.45 (11.4)	0.16 (4.0)	0.63 (16.0)	0.41 (10.5)	0.014 (0.23)	0.6 (0.27)	0.92
B1.5-14-NBR (Nitrile)	0.52 (13.3)	0.16 (4.0)	0.62 (15.8)	0.43 (11.0)	0.026 (0.42)	0.8 (0.36)	1.29
B1.5-14-SIT (Translucent Silicone)	0.52 (13.3)	0.16 (4.0)	0.62 (15.8)	0.43 (11.0)	0.026 (0.42)	0.8 (0.36)	1.29
B1.5-14-NM (NOMATHANE®)	0.52 (13.3)	0.16 (4.0)	0.62 (15.8)	0.43 (11.0)	0.026 (0.42)	0.8 (0.36)	1.29
B1.5-16-NBR (Nitrile)	0.64 (16.3)	0.16 (4.0)	0.75 (19.0)	0.41 (10.5)	0.046 (0.75)	1.2 (0.54)	1.52
B1.5-16-SIT (Translucent Silicone)	0.64 (16.3)	0.16 (4.0)	0.75 (19.0)	0.41 (10.5)	0.046 (0.75)	1.2 (0.54)	1.52
B1.5-16-NM (NOMATHANE®)	0.64 (16.3)	0.16 (4.0)	0.75 (19.0)	0.41 (10.5)	0.046 (0.75)	1.2 (0.54)	1.52



Vacuum Cup Part Number and Material	D Overall Dia. in. (mm)	d Fitting Dia. in. (mm)	H Static Height in. (mm)	A Compressed Height in. (mm)	Volume in. <sup>3</sup> (cm <sup>3</sup> )	Load Capacity* lb. (Kg) 2 to 1	Weight (Grams)
B1.5-20-NBR (Nitrile)	0.71 (18.0)	0.16 (4.0)	0.62 (15.8)	0.41 (10.5)	0.07 (1.20)	1.5 (0.68)	1.81
B1.5-20-SIT (Translucent Silicone)	0.71 (18.0)	0.16 (4.0)	0.62 (15.8)	0.41 (10.5)	0.07 (1.20)	1.5 (0.68)	1.81
B1.5-20-NM (NOMATHANE®)	0.71 (18.0)	0.16 (4.0)	0.62 (15.8)	0.41 (10.5)	0.07 (1.20)	1.5 (0.68)	1.81
B1.5-22-NBR (Nitrile)	0.89 (22.5)	0.16 (4.0)	0.77 (19.5)	0.43 (11.0)	0.09 (1.40)	2.3 (1.04)	2.18
B1.5-22-SIT (Translucent Silicone)	0.89 (22.5)	0.16 (4.0)	0.77 (19.5)	0.43 (11.0)	0.09 (1.40)	2.3 (1.04)	2.18
B1.5-22-NM (NOMATHANE®)	0.89 (22.5)	0.16 (4.0)	0.77 (19.5)	0.43 (11.0)	0.09 (1.40)	2.3 (1.04)	2.18
B1.5-25-NBR (Nitrile)	0.93 (23.5)	0.16 (4.0)	0.91 (23.0)	0.43 (11.0)	0.19 (3.20)	2.5 (1.10)	2.68
B1.5-25-SIT (Translucent Silicone)	0.93 (23.5)	0.16 (4.0)	0.91 (23.0)	0.43 (11.0)	0.19 (3.20)	2.5 (1.10)	2.68
B1.5-25-NM (NOMATHANE®)	0.93 (23.5)	0.16 (4.0)	0.91 (23.0)	0.43 (11.0)	0.19 (3.20)	2.5 (1.10)	2.68
B1.5-33-NBR (Nitrile)	1.32 (33.5)	0.31 (8.0)	1.1 (28.0)	0.65 (16.5)	0.29 (4.80)	4.3 (2.00)	8.2
B1.5-33-SIT (Translucent Silicone)	1.32 (33.5)	0.31 (8.0)	1.1 (28.0)	0.65 (16.5)	0.29 (4.80)	4.3 (2.00)	8.2
B1.5-33-NM (NOMATHANE®)	1.32 (33.5)	0.31 (8.0)	1.1 (28.0)	0.65 (16.5)	0.29 (4.80)	4.3 (2.00)	8.2
B1.5-43-NBR (Nitrile)	1.67 (42.3)	0.31 (8.0)	1.1 (28.0)	0.61 (15.5)	0.56 (9.30)	7 (3.30)	12.4
B1.5-43-NBR-GR (Nitrile)	1.67 (42.3)	0.31 (8.0)	1.1 (28.0)	0.61 (15.5)	0.56 (9.30)	7 (3.30)	12.4
B1.5-43-SIT (Translucent Silicone)	1.67 (42.3)	0.31 (8.0)	1.1 (28.0)	0.61 (15.5)	0.56 (9.30)	7 (3.30)	12.4
B1.5-43-NM (NOMATHANE®)	1.67 (42.3)	0.31 (8.0)	1.1 (28.0)	0.61 (15.5)	0.56 (9.30)	7 (3.30)	12.4
B1.5-53-NBR (Nitrile)	2.07 (52.5)	0.31 (8.0)	1.34 (34.0)	0.75 (19.0)	1.6 (26.30)	11 (5.00)	20.7
B1.5-53-NBR-GR (Grey Nitrile)	2.07 (52.5)	0.31 (8.0)	1.34 (34.0)	0.75 (19.0)	1.6 (26.30)	11 (5.00)	20.7
B1.5-53-SIT (Translucent Silicone)	2.07 (52.5)	0.31 (8.0)	1.34 (34.0)	0.75 (19.0)	1.6 (26.30)	11 (5.00)	20.7
B1.5-53-NM (NOMATHANE®)	2.07 (52.5)	0.31 (8.0)	1.34 (34.0)	0.75 (19.0)	1.6 (26.30)	11 (5.00)	20.7
B1.5-63-NBR (Nitrile)	2.49 (63.2)	0.31 (8.0)	1.32 (33.5)	0.73 (18.5)	2.4 (39.00)	9.8 (4.44)	28
B1.5-63-SIT (Translucent Silicone)	2.49 (63.2)	0.31 (8.0)	1.32 (33.5)	0.73 (18.5)	2.4 (39.00)	9.8 (4.44)	28
B1.5-78-NBR (Nitrile)	3.07 (78.0)	0.47 (12.0)	1.85 (47.0)	1.29 (32.8)	4.64 (76.00)	25 (11.30)	65.8
B1.5-78-SIT (Translucent Silicone)	3.07 (78.0)	0.47 (12.0)	1.85 (47.0)	1.29 (32.8)	4.64 (76.00)	25 (11.30)	65.8