

ANVER's VPE3-GEN3 Series Vac-Packs are suitable for handling non-porous to semi-porous loads. Designed for use with a wide assortment of vacuum pad attachments and lifter assemblies, these high quality Vac-Packs are ruggedly designed for heavy production use. Units are available with heavy duty frames or for mounting remotely.

Your Choice of FOUR Control Styles to Suit Your Application

Standard Controls



ESC-AC/DC-AR - Electric Self-Cycling Attach/Release
Instant attach/release is provided via the hoist up and down movement. The attach and release alternate each lift cycle for fast, efficient handling. Similar to our popular line of Mechanical Generators. (Not available on VPE3-GEN3-R or VPE3-GEN3-T models.)

Optional Controls



**RCPK-AC/DC-ARI
Radio Controlled 3 Button Attach / Release / Interlock Transmitter with Plug-In Receiver**
Hand held device with attach, release and safety interlock push buttons with holster mounted on front handlebar. Plug-in receiver is mounted on side of vacuum generator.



**EPK-AC/DC-ARI
Plug-In Attach/Release/Interlock Control Pendant**
Attach/Release momentary switch and safety interlock push-button located on control pendant with 10ft long coiled cord.



**34000332
Plug-In Harness, Customer Radio Receiver Interface**
Control Harness allows you to wire your own radio receiver for integration of Attach / Release / Interlock.



Generator shown with ESC Controls

Safety Features

- **Load Sensing Lifting Bail with Safety Lock-Out**
Pendant controls are only active when the lifter and load are lowered completely to remove the risk of accidental release by the operator. (Not on the VPE3-GEN3-R Series, which is a standalone version, or the VPE3-GEN3-T, which is a tilter version.) Once on load, attach is almost instantaneous.
- **Vacuum Control**
A solid-state Vacuum Control combines all the required vacuum generator controls in one rugged unit. This controls all vacuum pump functions, safety lights and is fitted with a standard audible vacuum leakage warning system.
- **Audible Vacuum Leakage Warning System**
Integrated electronically controlled vacuum loss sensor monitors vacuum level and will sound an alarm if a slow vacuum leak is present when the vacuum level drops to a pre-determined set point.
- **Vacuum Retention**
The system includes an internal check valve to stop loss of vacuum in the event of a power failure (non-porous loads). A 627 cu. in. vacuum reservoir assists in maintaining a safe vacuum level during a power failure (non-porous loads).

Additional Features

- **Indicator Lights – Front, Left & Right Side**
 - Green light indicates "Safe" vacuum level.
 - Red light indicates "Unsafe" vacuum level.
 - White light indicates "Power On."
- **Twist-Lock Power Cord Connector**
The twist-lock receptacle prevents accidental disconnection from the power source. Both male and female halves are supplied.

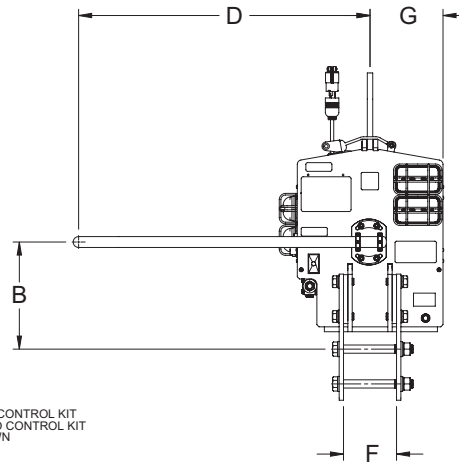
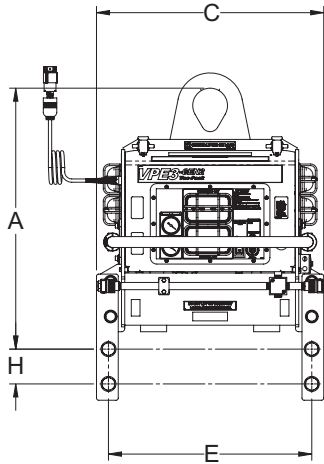
Vacuum Pump

- **(2) High Performance Oil-Less Dry Piston Vacuum Pump Motor**
Vacuum pump is thermally overload protected and requires 115V/1PH/60Hz* 20 amps service unless otherwise specified.

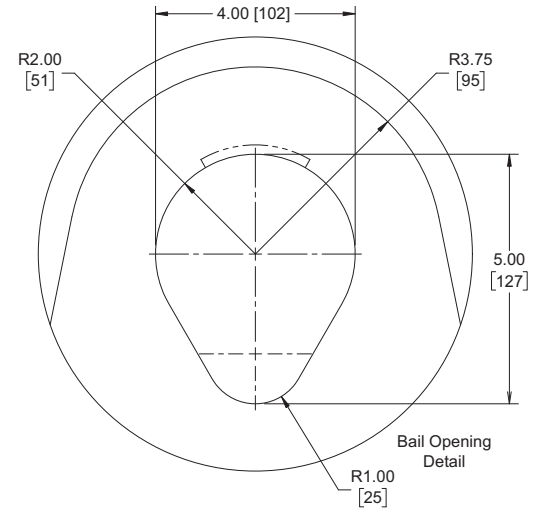
Operating Temperature: 35°F to 135°F (1.7°C to 57.2°C)

Options

- **Optional Moisture Traps (32000216)**
For damp applications: prevents saturation of filter and possible damage to pump. Not for handling wet loads. Mounts on vacuum manifold.
- ***Optional Generator Configurations Available:**
In reference to our standard line of Vac-Packs noted above, other configurations and set-ups are available. Contact ANVER for further information and application requirements.



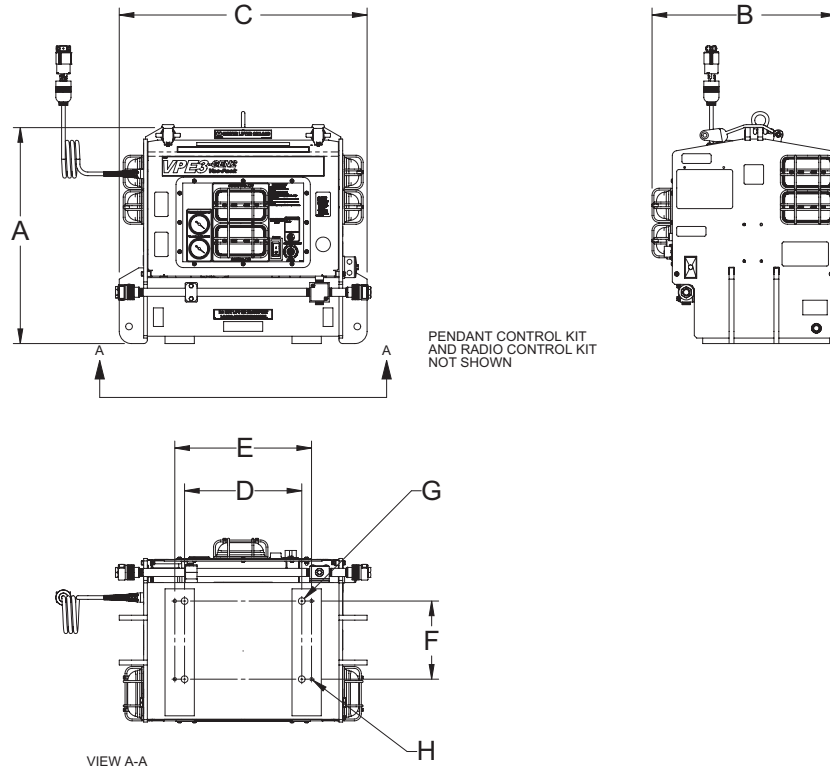
PENDANT CONTROL KIT
AND RADIO CONTROL KIT
NOT SHOWN



Generator Series	Model No.	VPE3-GEN3-L	VPE3-GEN3-S	VPE3-GEN3-H	VPE3-GEN3-HD	VPE3-GEN3-X
Rated Load Capacity lb (kg)		2300 (1043)	6900 (3129)	7000 (3175)	10000 (4535)	10000 (4535)
Unit Weight lb (kg)		325 (148)	325 (148)	325 (148)	325 (148)	325 (148)
A Max. Headroom in. (mm)		30.13 (765)	31.5 (800)	31.5 (800)	32 (813)	28 (711)
B Handlebar Height in. (mm)		12.44 (316)	13.81 (351)	13.81 (351)	13.81 (351)	12.31 (313)
C Unit Width in. (mm)		25.38 (645)	26.13 (664)	26.13 (664)	26.13 (664)	26.13 (664)
D Maximum Handlebar Length in. (mm)		34 (864)	34 (864)	34 (864)	34 (864)	34 (864)
E Hardware Centers in. (mm)		9 (229)	22.38 (568)	22.38 (568)	23.38 (594)	23.38 (594)
F Fits Tube Size in. (mm)		3 x 3 (76 x 76)	3 x 6 (76 x 152)	5 x 7 (127 x 178)	5 x 7 (127 x 178)	8 x 6 (203 x 152)
G Vac-Pack Depth in. (mm)		8.39 (213)	8.39 (213)	8.39 (213)	8.39 (213)	8.39 (213)
H Hardware Spacing in. (mm)		N/A	N/A	N/A	N/A	4 (102)
Vacuum Level at Sea Level in. Hg		24	24	24	24	24
Energy Saver / Quiet Automatic Shut-Off		YES	YES	YES	YES	YES

Optional Control Styles Below

Part Number	Description
RCPK-AC/DC-ARI	Radio Control Kit for Vac-Packs, Attach/Release/Interlock
EPK-AC/DC-ARI	Pendant Control Kit for Vac-Packs, Attach/Release/Interlock
34000332	Plug-In Harness, Customer Radio Receiver Interface



Generator Series Model No.		VPE3-GEN3-R	VPE3-GEN3-T
Unit Weight lb (kg)		270 (123)	270 (123)
A Max. Headroom in. (mm)		22.44 (569)	22.44 (569)
B Unit Depth in. (mm)		18.88 (479)	18.88 (479)
C Unit Width in. (mm)		25.38 (645)	25.38 (645)
Hardware Mounting Pattern in. (mm)	D x F	12 x 8 (305 x 203)	
	E x F	14 x 8 (356 x 203)	
G Thread Size		(4) M20x2.5	
H Thread Size		(4) M10x1.5	
Vacuum Level at Sea Level [in. Hg]		24	24
Energy Saver / Quiet Automatic Shut-Off		YES	YES

ESC Electric Self-Cycling is NOT available for VPE3-GEN3-R & VPE3-GEN3-T

Optional Control Styles Below	
Part Number	Description
RCPK-AC/DC-ARI	Radio Control Kit for Vac-Packs, Attach/Release/Interlock
EPK-AC/DC-ARI	Pendant Control Kit for Vac-Packs, Attach/Release/Interlock
34000332	Plug-In Harness, Customer Radio Receiver Interface