

ANVER's BAE3-GEN3 Series Vac-Pack Vacuum Generator contains many of the same features as the standard VPE3-GEN3 Series. Designed for use with a wide assortment of vacuum pad attachments and lifter assemblies, these high quality Vac-Packs are ruggedly designed for heavy production use. Units are available with heavy duty frames or for mounting remotely.

Your Choice of FOUR Control Styles to Suit Your Application

Standard Controls



ESC-AC/DC-AR

Electric Self-Cycling Attach/Release

Instant attach/release is provided via the hoist up and down movement. The attach and release alternate each lift cycle for fast, efficient handling. Similar to our popular line of Mechanical Generators

Optional Controls



RCPK-AC/DC-ARI

Radio Controlled 3 Button Attach / Release / Interlock Transmitter with Plug-In Receiver

Hand held device with attach, release and safety interlock push buttons with holster mounted on front handlebar. Plug-in receiver is mounted on side of vacuum generator.



EPK-AC/DC-ARI

Plug-In Attach/Release/Interlock Control Pendant

Attach/Release momentary switch and safety interlock push-button located on control pendant with 10ft long coiled cord.



34000332

Plug-In Harness, Customer Radio Receiver Interface

Control Harness allows you to wire your own radio receiver for integration of Attach / Release / Interlock.



Generator shown with ESC Controls

Safety Features

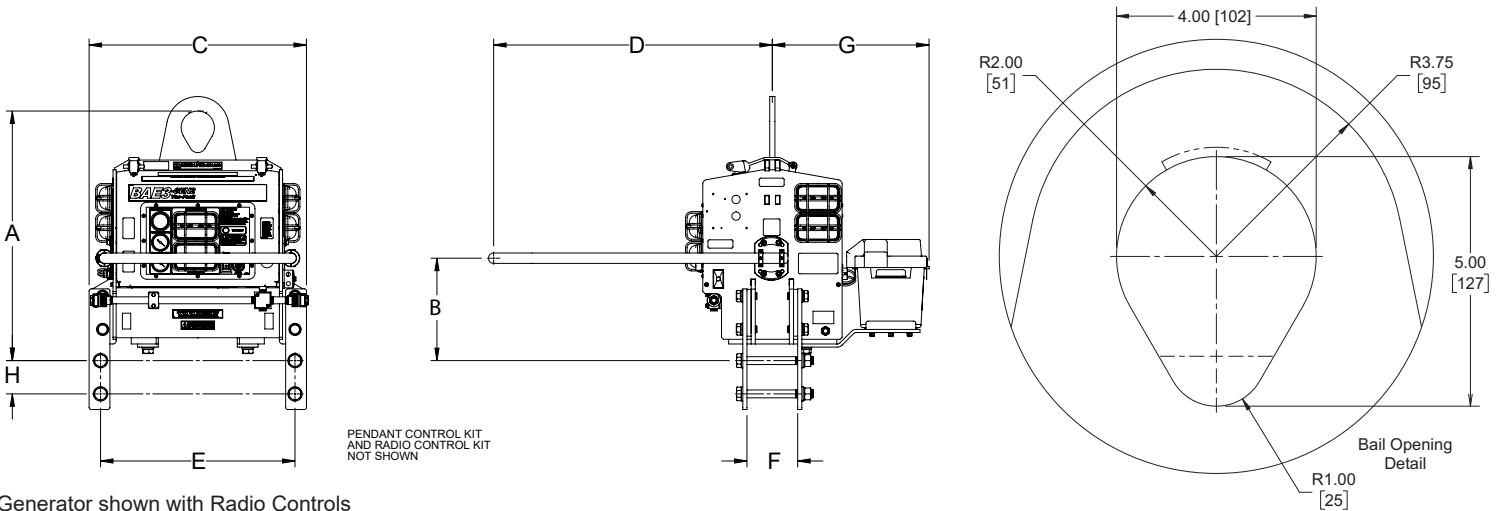
- **Load Sensing Lifting Bail with Safety Lock-Out**
Pendant controls are only active when the lifter is lowered completely and there is no load on the bail. This eliminates the risk of accidental release of a suspended load by the operator. (Feature not present on the BAE3-GEN2-RD Series, which is a standalone version, or the BAE3-GEN2-T, which is a tilter version.)
- **Vacuum Control**
A solid-state Vacuum Control combines all the required vacuum generator controls in one rugged unit. This controls all vacuum pump functions, safety lights, and is fitted with a standard audible vacuum leakage warning system.
- **Audible Vacuum Leakage Warning System (VLS-03E)**
Integrated electronically controlled vacuum loss sensor monitors vacuum level and will sound an alarm if a slow vacuum leak is present and the vacuum level drops to a predetermined set point.
- **Vacuum Retention**
The system includes an internal check valve to stop loss of vacuum in the event of a power failure. A 5.4 gallon (1247 cu. in.) vacuum reservoir assists in maintaining a safe vacuum level during a power failure (non-porous loads).

Additional Features

- **Front Control Panel and Gauges**
All gauges, lights and power switches are mounted on the front of the control panel. The two vacuum gauges on the face of the panel display the level of vacuum in the manifold and in the reservoir.
- **Indicator Lights**
 - Green light indicates "safe" vacuum level.
 - Red light indicates "unsafe" vacuum level.
 - White light indicates "power on."
- 79 Amp hour, deep-cycle battery can provide up to 8 hours of continual operation in many applications.
- The (3) diaphragm type vacuum pumps at 7.5 CFM total are driven by 1/16 h.p. 12 volt D.C. motor and generate 24" Hg. (at sea level) of vacuum. The ANVER Vacuum Control Module maintains a safe vacuum level by cycling the vacuum pump motor on or off as required, which extends both vacuum pump life and battery charge
- **Battery Charger (CHARGER-BAE) (Sold Separately)**
The battery charger is designed specifically for today's high performance, deep-cycle lead-acid batteries. The straight blade plug accommodates a standard extension cord using a 110V AC wall outlet.

Options

- **Optional Moisture Traps (32000216)**
For damp applications: prevents saturation of filter and possible damage to pump. Not for handling wet loads. Mounts on vacuum manifold.
- ***Optional Generator Configurations Available:**
In reference to our standard line of Vac-Packs noted above, other configurations and set-ups are available. Contact ANVER for further information and application requirements.

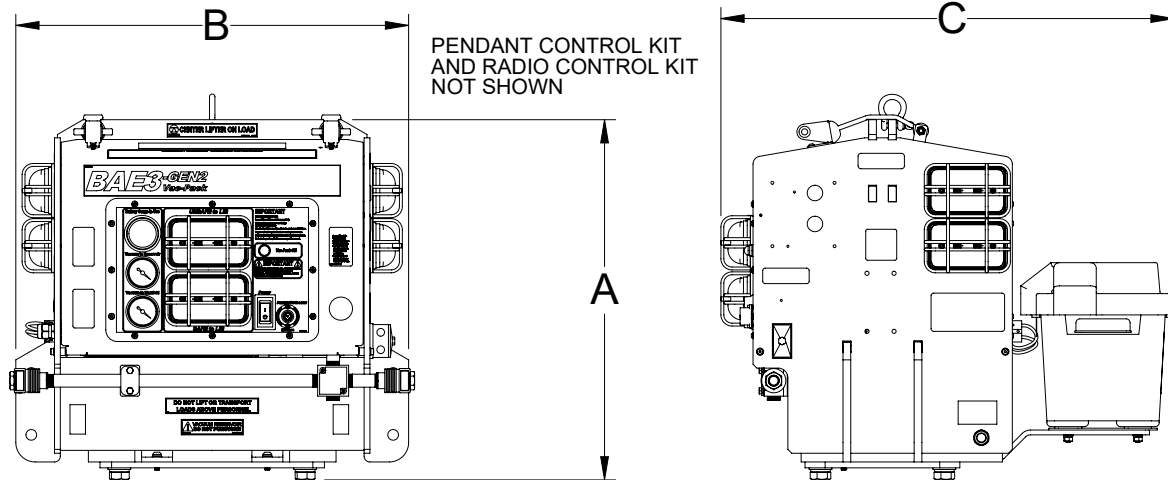


Generator shown with Radio Controls

Generator Model No.	BAE3-GEN3-L	BAE3-GEN3-S	BAE3-GEN3-H	BAE3-GEN3-HD	BAE3-GEN3-X
Rated Load Capacity lb (kg)	2300 (1043)	6900 (3129)	7000 (3175)	10000 (4535)	10000 (4535)
Unit Weight lb (kg)	474 (215)	474 (215)	474 (215)	474 (215)	474 (215)
A Max. Headroom in. (mm)	30.13 (765)	31.5 (800)	31.5 (800)	32 (813)	28 (711)
B Handlebar Height in. (mm)	12.44 (316)	13.81 (351)	13.81 (351)	13.81 (351)	12.31 (313)
C Unit Width in. (mm)	25.38 (645)	26.13 (664)	26.13 (664)	26.13 (664)	26.13 (664)
D Maximum Handlebar Length in. (mm)	34 (864)	34 (864)	34 (864)	34 (864)	34 (864)
E Hardware Centers in. (mm)	9 (229)	22.38 (568)	22.38 (568)	23.38 (594)	23.38 (594)
F Fits Tube Size in. (mm)	3 x 3 (76 x 76)	3 x 6 (76 x 152)	5 x 7 (127 x 178)	5 x 7 (127 x 178)	8 x 6 (203 x 152)
G Vac-Pack Depth in. (mm)	18.84 (479)	18.84 (479)	18.84 (479)	18.84 (479)	18.84 (479)
H Hardware Spacing in. (mm)	N/A	N/A	N/A	N/A	4 (102)
(3) Total Pump Capacity SCFM	7.5	7.5	7.5	7.5	7.5
Vacuum Level at Sea Level in. Hg	24	24	24	24	24
Energy Saver / Quiet Automatic Shut-Off	YES	YES	YES	YES	YES
Battery Part Number	AGM-12V-75	AGM-12V-75	AGM-12V-75	AGM-12V-75	AGM-12V-75

Optional Control Styles Below

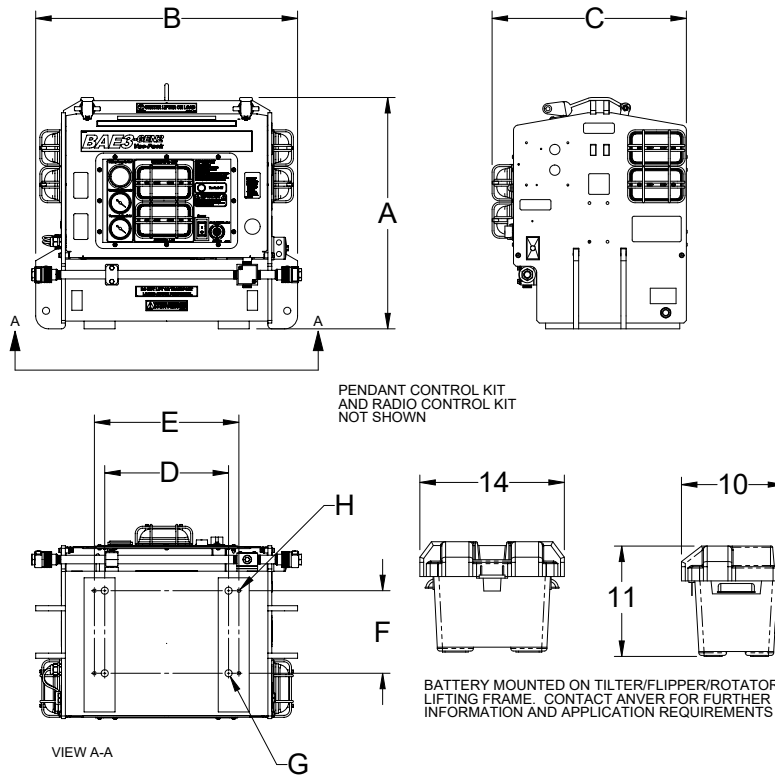
Part Number	Description
RCPK-AC/DC-ARI	Radio Control Kit for Vac-Packs, Attach/Release/Interlock
EPK-AC/DC-ARI	Pendant Control Kit for Vac-Packs, Attach/Release/Interlock
34000332	Plug-In Harness, Customer Radio Receiver Interface



Generator Model No.	BAE3-GEN3-R
Unit Weight lb (kg)	270 (123)
A Max. Headroom in. (mm)	23.63 (600)
B Unit Width in. (mm)	29.31 (744)
C Unit Depth in. (mm)	25.38 (645)
Vacuum Level at Sea Level in. Hg	24
Energy Saver / Quiet Automatic Shut-Off	YES
Battery Part Number	AGM-12V-75

Optional Control Styles Below

Part Number	Description
RCPK-AC/DC-ARI	Radio Control Kit for Vac-Packs, Attach/Release/Interlock
EPK-AC/DC-ARI	Pendant Control Kit for Vac-Packs, Attach/Release/Interlock
34000332	Plug-In Harness, Customer Radio Receiver Interface



Generator Model No.		BAE3-GEN3-T	
Unit Weight lb (kg)		270 (123)	
A Max. Headroom in. (mm)		22.44 (569)	
B Unit Width in. (mm)		18.88 (479)	
C Unit Depth in. (mm)		25.38 (645)	
Hardware Mounting Pattern	D x F	G Thread: (4) M20x2.5	12 x 8 (305 x 203)
	E x F	H Thread: (4) M10x1.5	14 x 8 (356 x 203)
Vacuum Level at Sea Level in. Hg		24	
Energy Saver / Quiet Automatic Shut-Off		YES	
Battery Part Number		AGM-12V-75	

Optional Control Styles Below	
Part Number	Description
RCPK-AC/DC-ARI	Radio Control Kit for Vac-Packs, Attach/Release/Interlock
EPK-AC/DC-ARI	Pendant Control Kit for Vac-Packs, Attach/Release/Interlock
34000332	Plug-In Harness, Customer Radio Receiver Interface