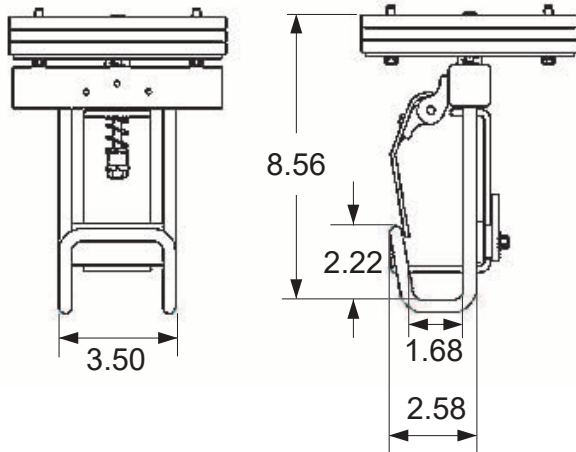


Hook Foot Attachment for VT Series Control Heads

ANVER Vacuum Tube Lifting Systems provide an easy, cost-effective solution to just about any material handling problem. In addition to having the largest selection of vacuum attachment pads, ANVER also offers the VT-GHF “hook foot” attachment. This unique item allows you to use your vacuum tube lifter to pick up pails and other items with handles. Once the handle of the load is placed inside the hook, the weight of the load closes the valve, compressing the lift tube and lifting the load.

Features

- Rugged Stainless Steel Construction.
- Smooth spring-loaded operation for maximum control.
- Safety Latch keeps load handle securely in place.
- Easily interchangeable with all vacuum tube lift systems and pad attachments.
- Can attach either directly to the lift head or to the quick release bottom.



Part Number	Description
VT-GHF	Hook Foot Assembly for VT Systems
VT-QRB-S	Standard Quick Release Bottom – Stainless Steel for VT/VB Systems
VT-QRB-S-4P	Standard Quick Release Bottom with Spring Lock – Aluminum for VT/VB Systems



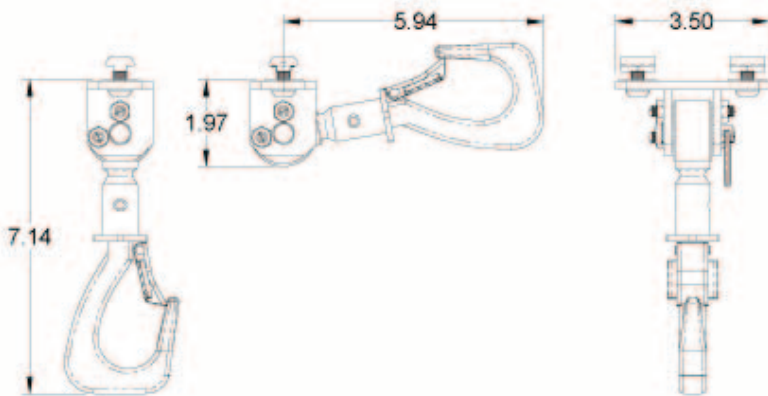
Hook Foot Attachment for VT Series Beams

ANVER Vacuum Tube Lifting Systems provide an easy, cost-effective solution to just about any material handling problem. In addition to having the largest selection of vacuum attachment pads, ANVER also offers the VT-PAHK-S and VT-PAHK-M hook attachment for VT Series beams. This unique item allows you to use your existing pad attachments spreader beam to pick up pails and other items with handles. When you're done using the hook, you can tilt the hook attachment 90 degrees, allowing you to continue using your pad attachment.

Note: Additional vacuum valves and/or fittings may be required, please contact factory for more information.

Features

- Rugged Stainless Steel Construction.
- Safety Latch keeps load handle securely in place.
- Hook can be tilted out of the way when not in use.



Part Number	Description
VT-PAHK-S	Hook Attachment, for Standard VTB Series Beams
VT-PAHK-M	Hook Attachment, for Mini VTB Series Beams